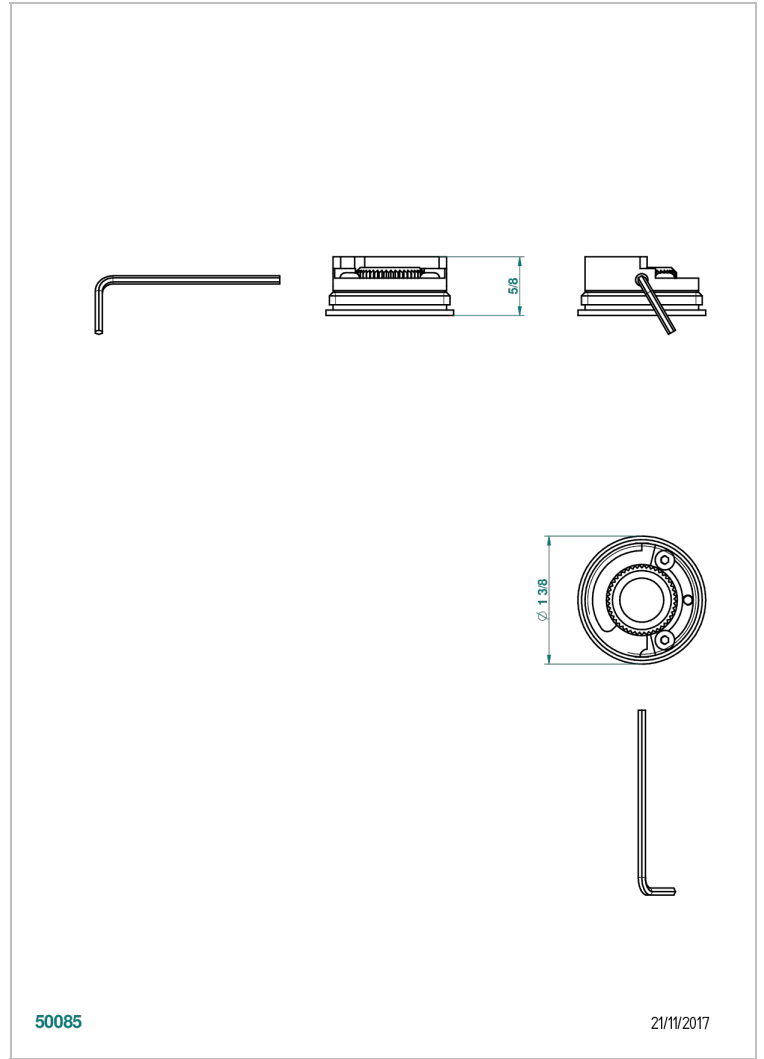


# GENERAL ITEMS

G00-5100G

Reinforced stop ring for THG thermostatic with fixing set



## CHARACTERISTIC

- For intensive use (hotels)

## AVAILABLE FINITIONS

\*\*\* - A00