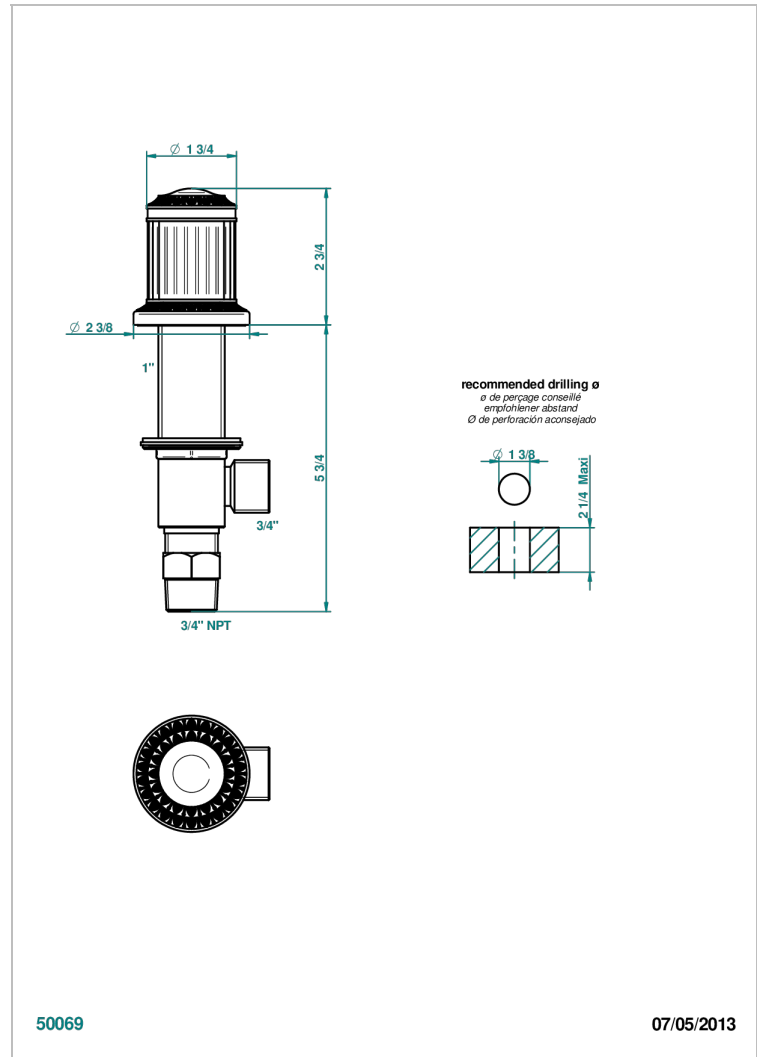


MALMAISON METAL

U93-36/US

3/4" deck valve with trim

THG[®]
PARIS



CHARACTERISTIC

- ASME : ASME A112.18.1-2011/CSA B125.1-11

STANDARDS



AVAILABLE FINITIONS

Black ceram - D30

Chrome polished - A02

Chrome polished / gold polished - G02

Copper antique matt, coated - H07

Gold mat - F07

Gold polished - F01

Light coated bronze - D01

Matt chrome (American satin) - C02

Matt nickel (American satin) - C01

Nickel antique / Sovereign - H28

Nickel polished - B01

Soft gold - F30

Soft matt gold - F31