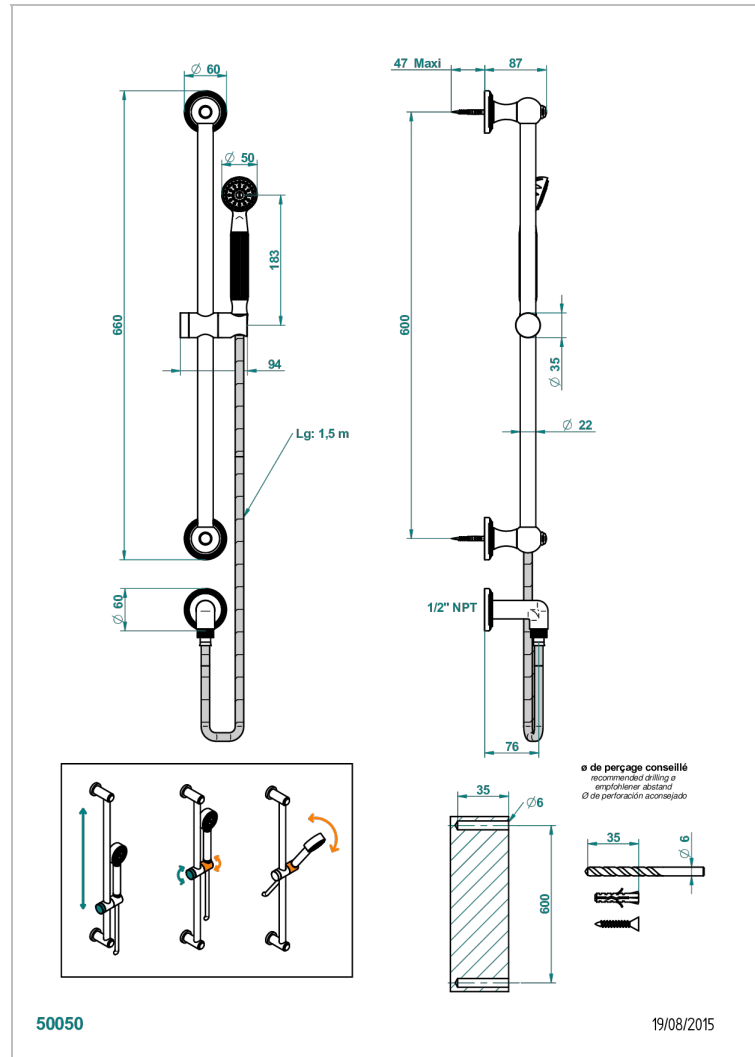


MALMAISON METAL

U93-58/US

Slide bar with handsower and elbow



CHARACTERISTIC

- Malmaison Metal
- Slide bar with handsower and elbow

TECHNICAL SPECS

- Recommandé : 3 bars (max. 5 bars) - Advised : 43,5 psi (max. 72 psi)
- 9,5 l/min à 3 bars (2.5 gpm at 43.5 psi)

AVAILABLE FINITIONS

Black ceram - D30
 Chrome polished - A02
 Chrome polished / gold polished - G02
 Copper antique matt, coated - H07
 Gold mat - F07
 Gold polished - F01

Light coated bronze - D01
 Matt chrome (American satin) - C02
 Matt nickel (American satin) - C01
 Nickel antique / Sovereign - H28
 Nickel polished - B01
 Soft gold - F30

Soft matt gold - F31