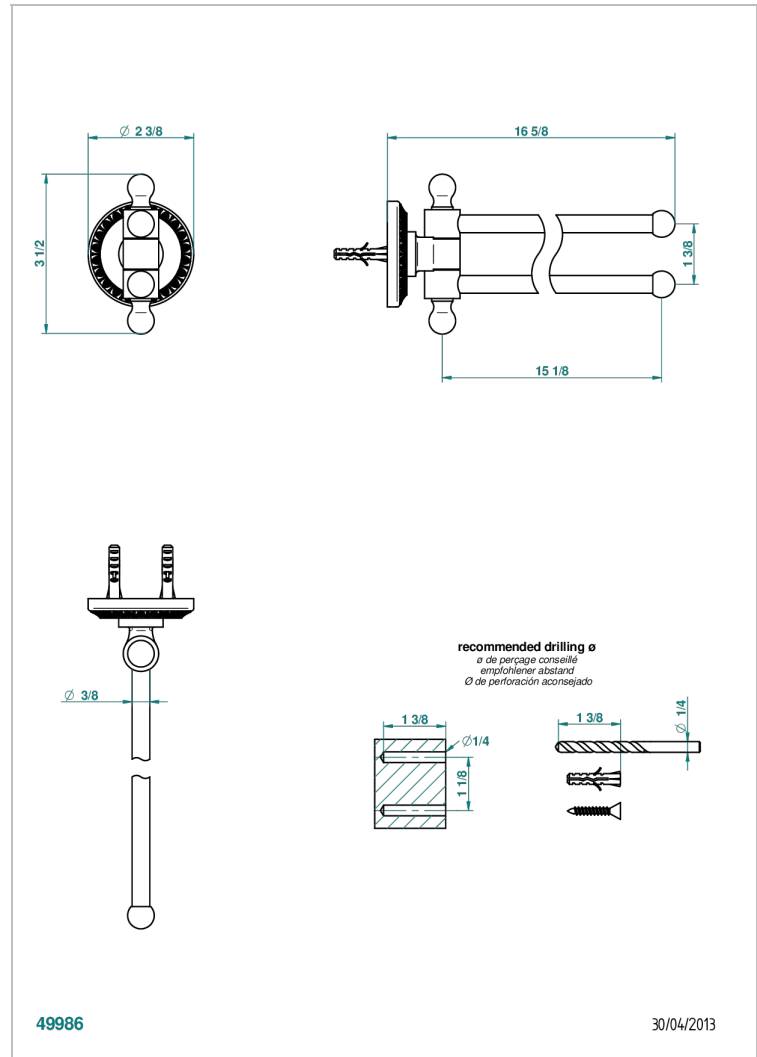


MALMAISON PORTORO

U95-522

Towel bar 15 3/4" long, double swivel

THG[®]
PARIS



CHARACTERISTIC

- Malmaison Portoro
- Towel bar 15 3/4" long, double swivel

AVAILABLE FINITIONS

Black ceram - D30
Chrome polished - A02
Chrome polished / gold polished - G02
Copper antique matt, coated - H07
Gold mat - F07
Gold polished - F01

Light coated bronze - D01
Matt chrome (American satin) - C02
Matt nickel (American satin) - C01
Nickel antique / Sovereign - H28
Nickel polished - B01
Soft gold - F30

Soft matt gold - F31