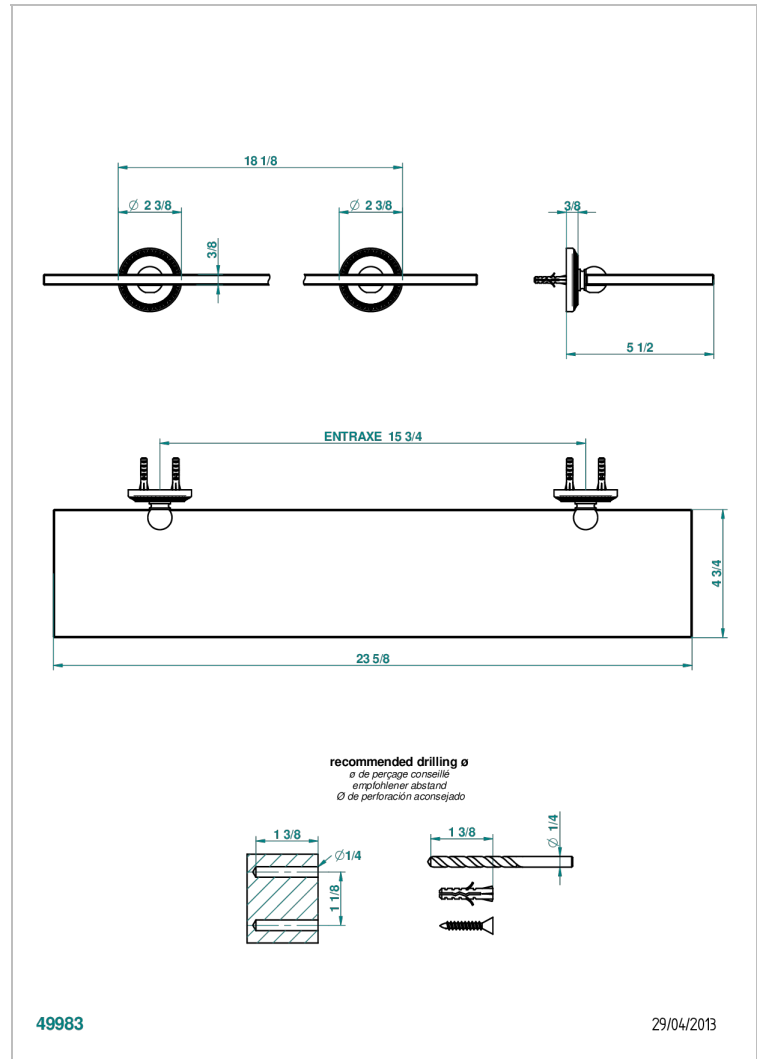
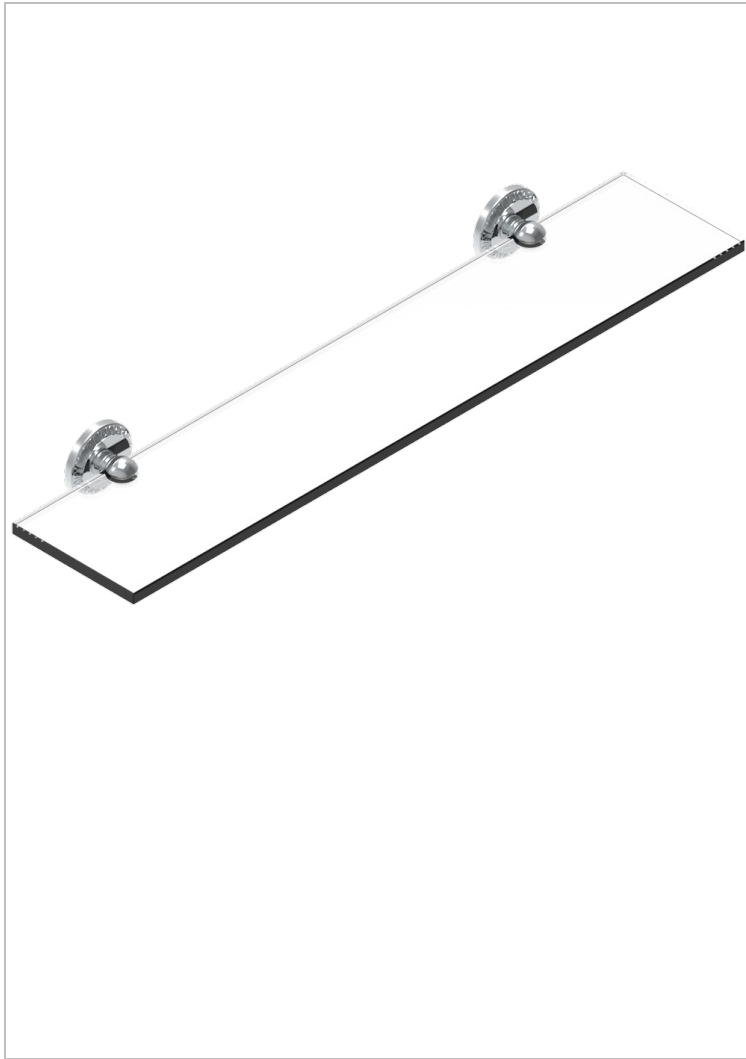


MALMAISON METAL

U93-564

Glass shelf with supports

THG[®]
PARIS



CHARACTERISTIC

- Malmaison Metal
- Glass shelf with supports

AVAILABLE FINITIONS

Antique nickel - H28
Black ceram - D30
Lacquered light bronze - D01
Matt chrome - C02
Matt gold - F07
Matt nickel (color finish) - C01

Polished chrome (color finish) - A02
Polished chrome / Polished gold (color finish) - G02
Polished gold (color finish) - F01
Polished nickel - B01
Soft gold - F30
Soft matt gold - F31

Varnished matt antique red copper (color finish) - H07