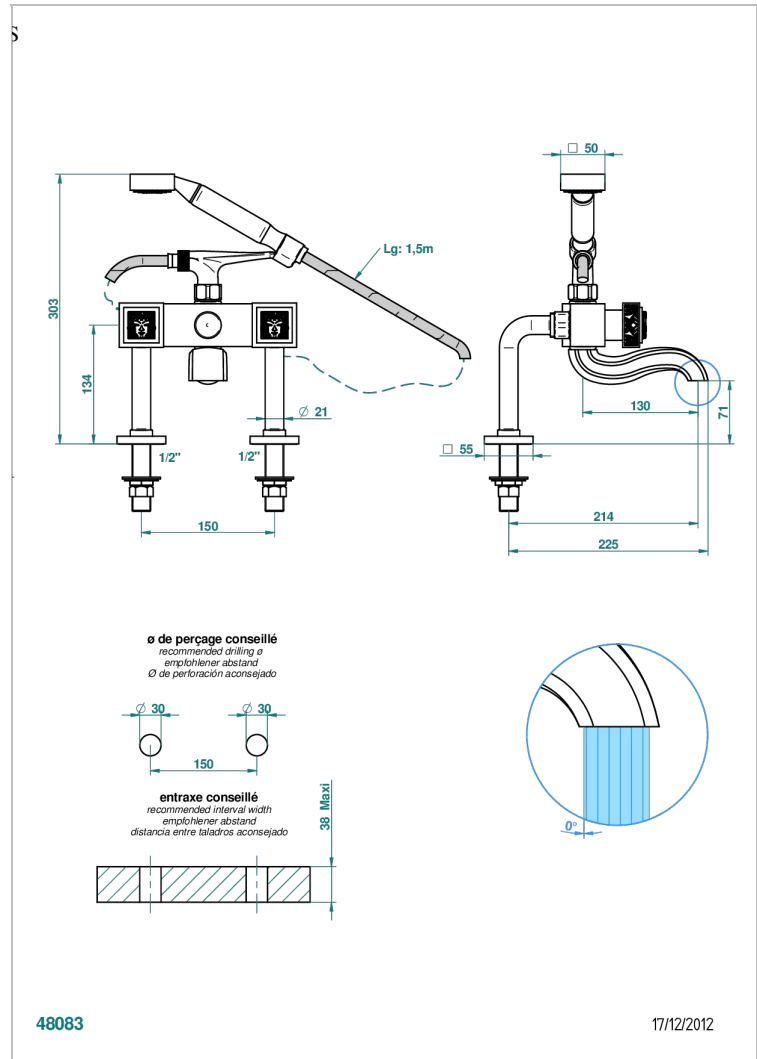


# MASQUE DE FEMME LUNAIRE

A2R-13G/US

Exposed tub filler with cradle handshower, deck mounted



## CHARACTERISTIC

- ASME : ASME A112.18.1-2011/CSA B125.1-11

## STANDARDS



## AVAILABLE FINITIONS

Black ceram - D30  
 Chrome polished - A02  
 Chrome polished / gold polished - G02  
 Gold mat - F07  
 Gold polished - F01  
 Matt chrome (American satin) - C02

## TECHNICAL SPECS

- Recommandé : 3 bars (max. 5 bars) - Advised : 43,5 psi (max. 72 psi)
- Bec : 75 l/min à 3 bars - Douchette : 9,5 l/min à 3 bars
- Spout : 19,8 gpm at 43.5 psi - Handshower : 2.5 gpm at 43.5 psi

Matt nickel (American satin) - C01  
 Nickel polished - B01  
 Soft gold - F30  
 Soft matt gold - F31