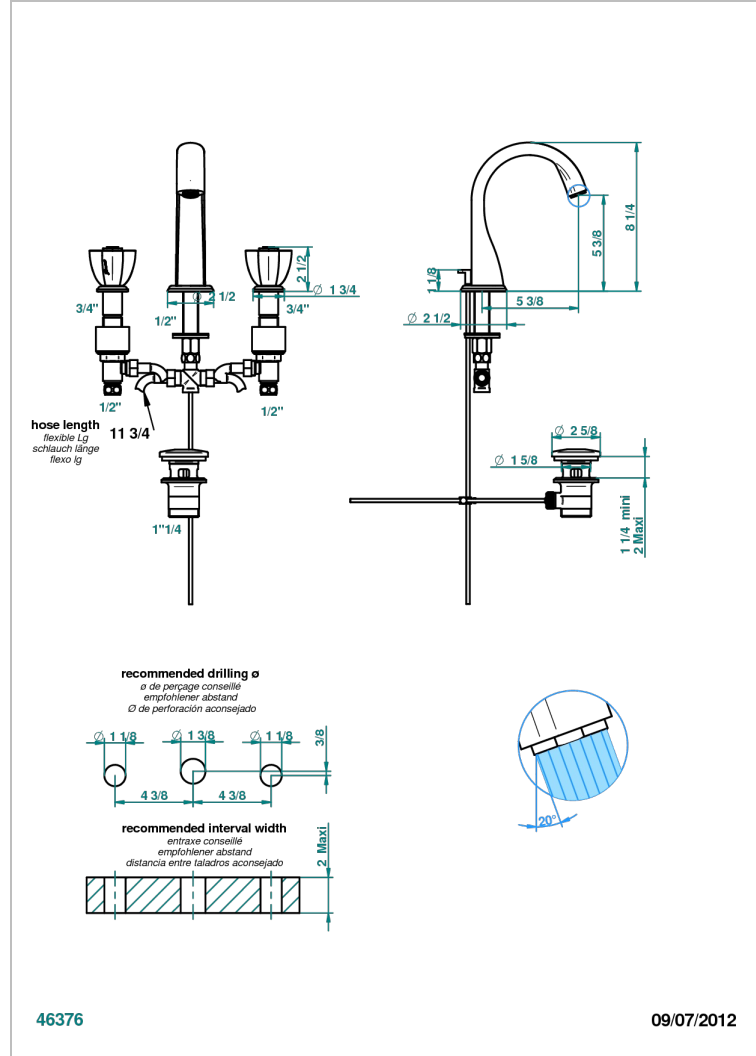
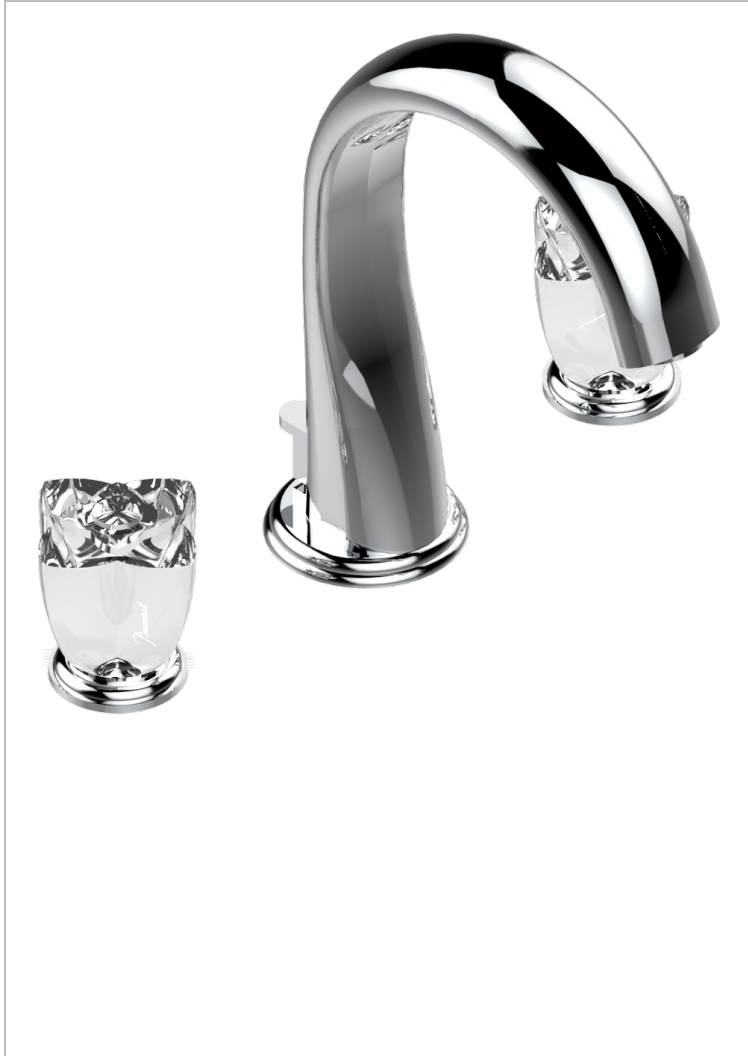


# PETALE DE CRISTAL - CLEAR CRYSTAL

U6A-151

Rim mounted 3-hole basin mixer and pop-up waste



## CHARACTERISTIC

- DVGW : DW-6501CO0477
- NF : NF EN 200 - IA - Chrome
- SVGW-SSIGE : 1901-6813

## STANDARDS



## TECHNICAL SPECS

- Recommandé : 3 bars (max. 5 bars) - Advised : 43,5 psi (max. 72 psi)
- 15 l/min à 3 bars (4 gpm at 43.5 psi)

## AVAILABLE FINITIONS

Antique nickel - H28  
 Aranja (black nickel) - D24  
 Blush PVD - H62  
 Brass color PVD - H49  
 Brown bronze color PVD - F33  
 Lacquered antique silver (coated) - H03

Lacquered light bronze - D01  
 Matt blush PVD - H60  
 Matt brass color PVD - H50  
 Matt brown bronze color PVD - F34  
 Matt chrome - C02  
 Matt gold - F07

Matt nickel (color finish) - C01  
 Matt nickel color PVD - H56  
 Nickel color PVD - H55  
 Polished chrome (color finish) - A02  
 Polished chrome / Polished gold (color finish) - G02  
 Polished gold (color finish) - F01

Polished nickel - B01  
 Pvd gold color - H52  
 Pvd matt gold color - H53  
 Rhodium Silver - F18  
 Rose Gold - F27  
 Satin chrome - C03

Satin gold - F03  
 Soft gold - F30  
 Soft matt gold - F31  
 Soft satin gold - F32  
 Varnished matt antique red copper (color finish) - H07