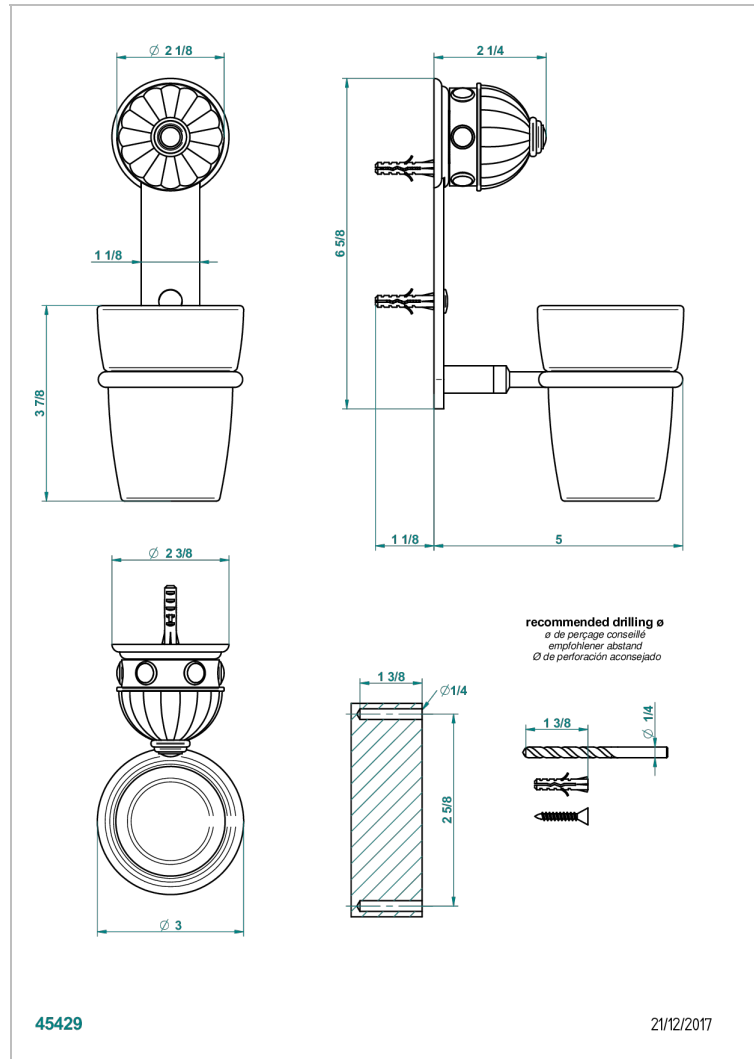


# AMBOISE LAPIS LAZULI

A1K-536

Wall mounted glass tumbler and holder



## CHARACTERISTIC

- Amboise Lapis Lazuli
- Wall mounted glass tumbler and holder

## AVAILABLE FINITIONS

Antique nickel - H28  
 Black ceram - D30  
 Blush PVD - H62  
 Brass color PVD - H49  
 Brown bronze color PVD - F33  
 Gold color PVD - H52

Graphite PVD - H64  
 Matt Umber PVD - H67  
 Matt blush PVD - H60  
 Matt brass color PVD - H50  
 Matt brown bronze color PVD - F34  
 Matt chrome - C02

Matt gold - F07  
 Matt gold color PVD - H53  
 Matt graphite PVD - H65  
 Matt nickel (color finish) - C01  
 Matt nickel color PVD - H56  
 Nickel color PVD - H55

Polished chrome (color finish) - A02  
 Polished chrome / Polished gold (color finish) - G02  
 Polished gold (color finish) - F01  
 Polished nickel - B01  
 Soft gold - F30  
 Soft matt gold - F31  
 Umber PVD - H66