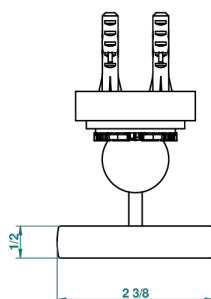
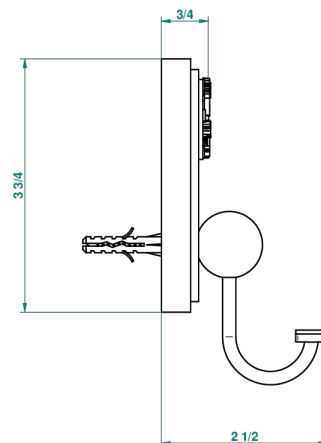
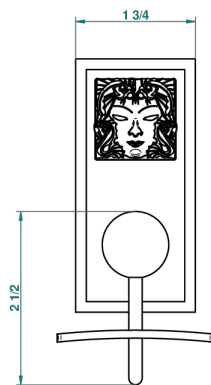


# MASQUE DE FEMME SOLAIRE

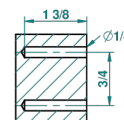
A2S-510

Robe hook

THG<sup>®</sup>  
PARIS



recommended drilling ø  
ø de perçage conseillé  
empfohlener abstand  
Ø de perforación aconsejado



45355

12/03/2012

## CHARACTERISTIC

- Masque de Femme Solaire
- Robe hook

## AVAILABLE FINITIONS

Black ceram - D30  
Matt chrome - C02  
Matt gold - F07  
Matt nickel (color finish) - C01  
Polished chrome (color finish) - A02  
Polished chrome / Polished gold (color finish) - G02

Polished gold (color finish) - F01  
Polished nickel - B01  
Soft gold - F30  
Soft matt gold - F31