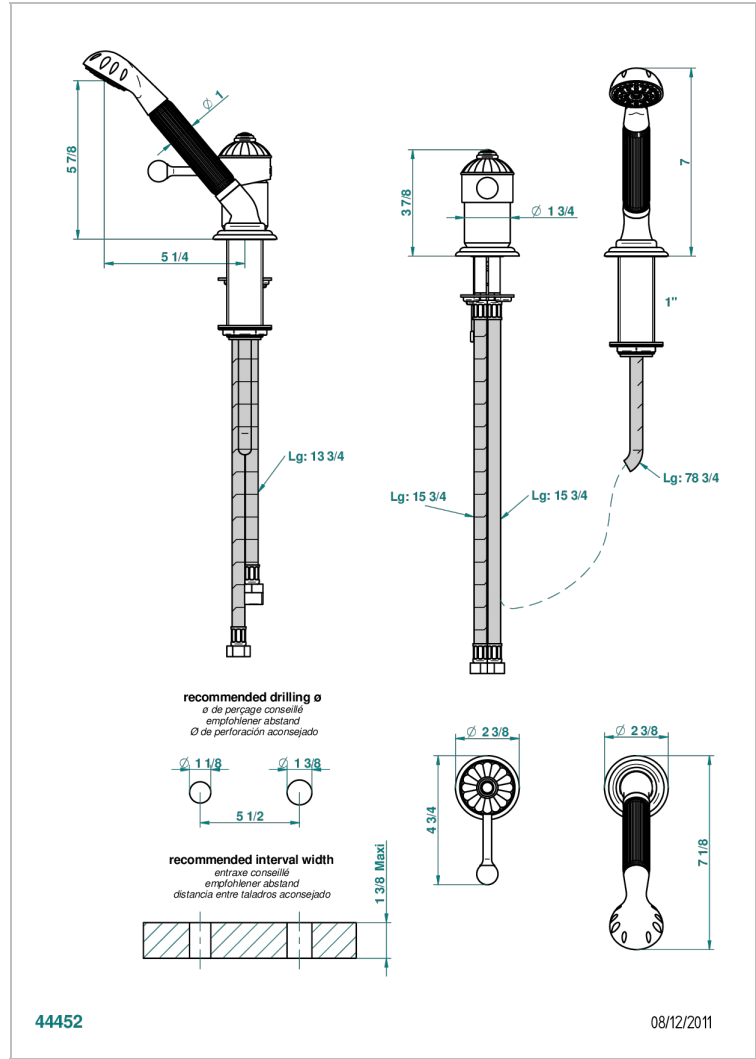


CHEVERNY MALACHITE

A1S-6523/60A

Rim mounted ceramic mixer with handshower



CHARACTERISTIC

- Cheverny Malachite
- Rim mounted ceramic mixer with handshower

TECHNICAL SPECS

- Recommandé : 3 bars (max. 5 bars) - Advised : 43,5 psi (max. 72 psi)
- 9,5 l/min à 3 bars (2.5 gpm at 43.5 psi)

AVAILABLE FINITIONS

Antique nickel - H28
 Black ceram - D30
 Blush PVD - H62
 Brass color PVD - H49
 Brown bronze color PVD - F33
 Gold color PVD - H52

Graphite PVD - H64
 Matt Umber PVD - H67
 Matt blush PVD - H60
 Matt brass color PVD - H50
 Matt brown bronze color PVD - F34
 Matt chrome - C02

Matt gold - F07
 Matt gold color PVD - H53
 Matt graphite PVD - H65
 Matt nickel (color finish) - C01
 Matt nickel color PVD - H56
 Nickel color PVD - H55

Polished chrome (color finish) - A02
 Polished chrome / Polished gold (color finish) - G02
 Polished gold (color finish) - F01
 Polished nickel - B01
 Soft gold - F30
 Soft matt gold - F31
 Umber PVD - H66