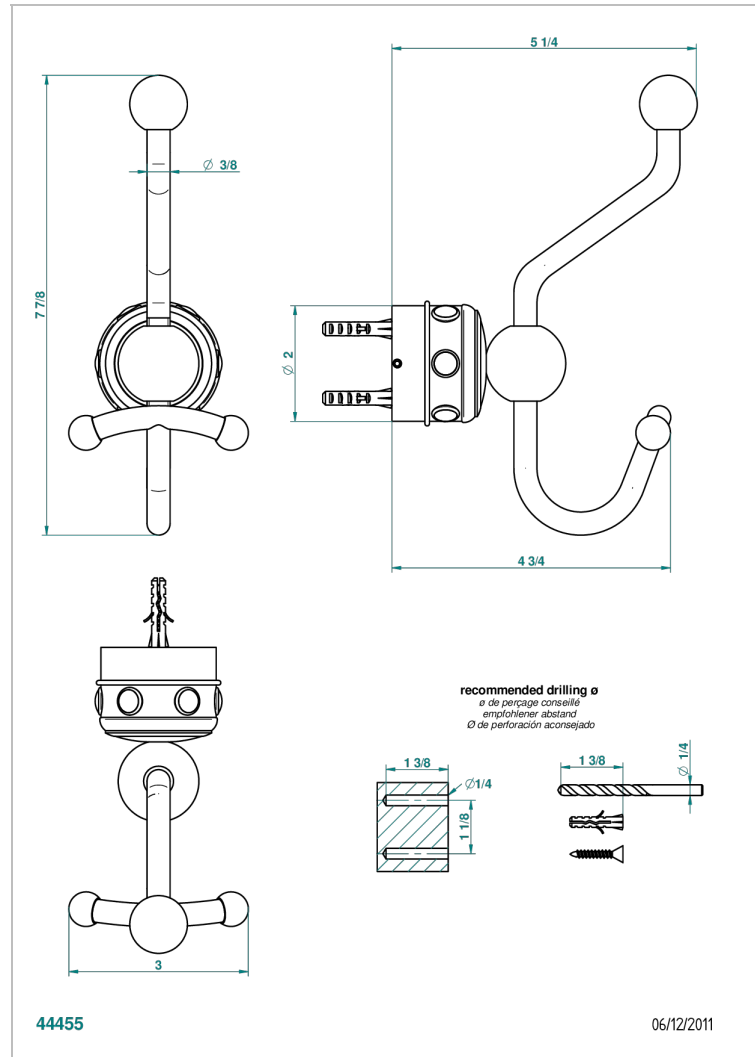


AMBOISE MALACHITE

A1J-510A

Double robe hook



CHARACTERISTIC

- Amboise Malachite
- Double robe hook

AVAILABLE FINITIONS

Black ceram - D30
 Blush PVD - H62
 Brass color PVD - H49
 Brown bronze color PVD - F33
 Chrome polished - A02
 Chrome polished / gold polished - G02

Gold color PVD - H52
 Gold mat - F07
 Gold polished - F01
 Graphite PVD - H64
 Matt Umber PVD - H67
 Matt blush PVD - H60

Matt brass color PVD - H50
 Matt brown bronze color PVD - F34
 Matt chrome (American satin) - C02
 Matt gold color PVD - H53
 Matt graphite PVD - H65
 Matt nickel (American satin) - C01

Matt nickel color PVD - H56
 Nickel antique / Sovereign - H28
 Nickel color PVD - H55
 Nickel polished - B01
 Soft gold - F30
 Soft matt gold - F31

Umber PVD - H66