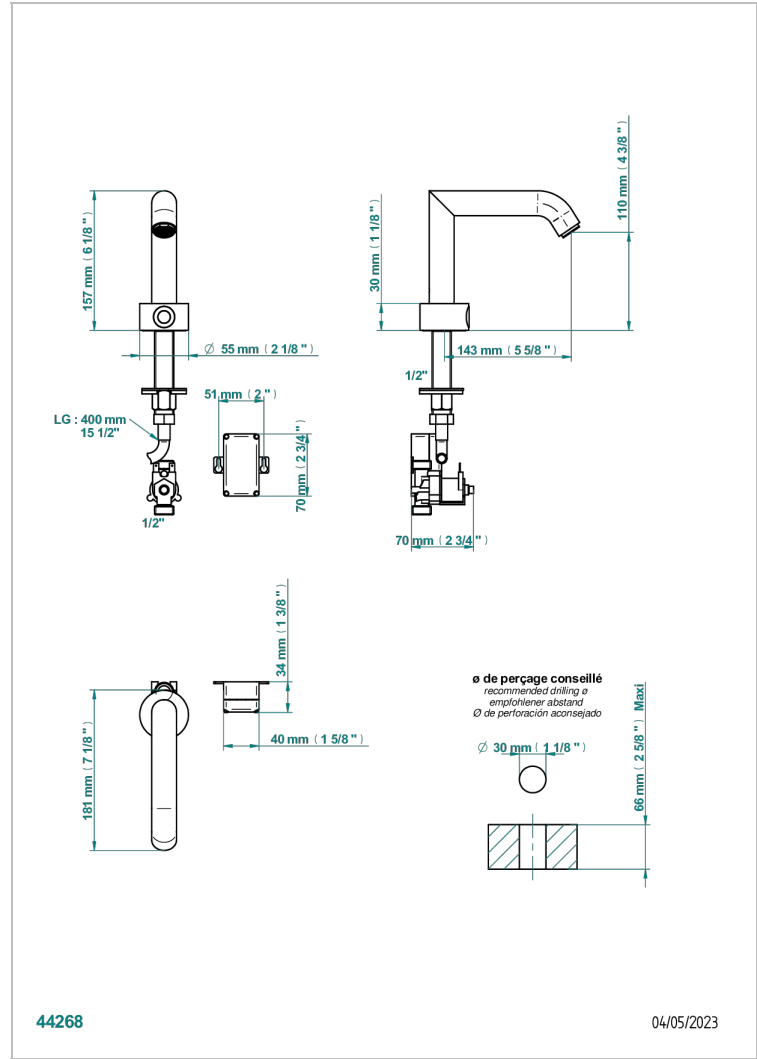


Electronic tap for washbasin with infra-red presence detection, without pop-up waste



### CHARACTERISTIC

- ACS : 21ACCLY484

### STANDARDS



### RELATED SKU'S

- Ref. G00-5999 Concealed wall mounted 1/2" Thermostatic mixer
- Ref. G5A-6532 Rim mounted ceramic mixer with progressive cartridge

### AVAILABLE FINITIONS

- Antique nickel - H28
- Black ceram - D30
- Matt chrome - C02
- Matt gold - F07
- Matt nickel (color finish) - C01
- Polished chrome (color finish) - A02

- Polished chrome / Polished gold (color finish) - G02
- Polished gold (color finish) - F01
- Polished nickel - B01
- Soft gold - F30
- Soft matt gold - F31