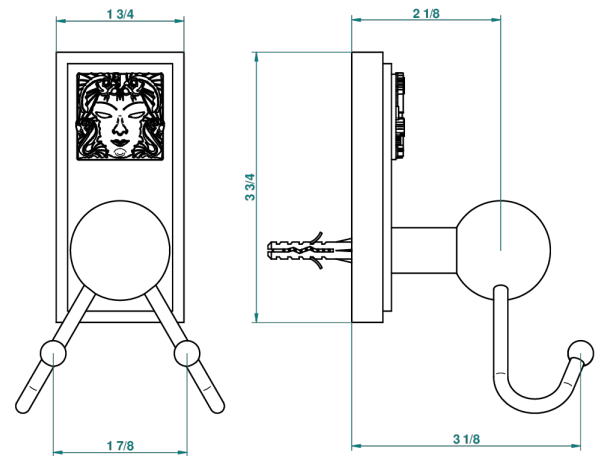


# MASQUE DE FEMME SOLAIRE

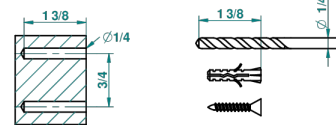
A2S-512

Double flannel hook

THG<sup>®</sup>  
PARIS



recommended drilling  $\phi$   
 $\phi$  de perçage conseillé  
empfohlener Abstand  
 $\phi$  de perforación aconsejado



43184

16/02/2012

## CHARACTERISTIC

- Masque de Femme Solaire
- Double flannel hook

## AVAILABLE FINITIONS

Black ceram - D30  
Chrome polished - A02  
Chrome polished / gold polished - G02  
Gold mat - F07  
Gold polished - F01  
Matt chrome (American satin) - C02

Matt nickel (American satin) - C01  
Nickel polished - B01  
Soft gold - F30  
Soft matt gold - F31