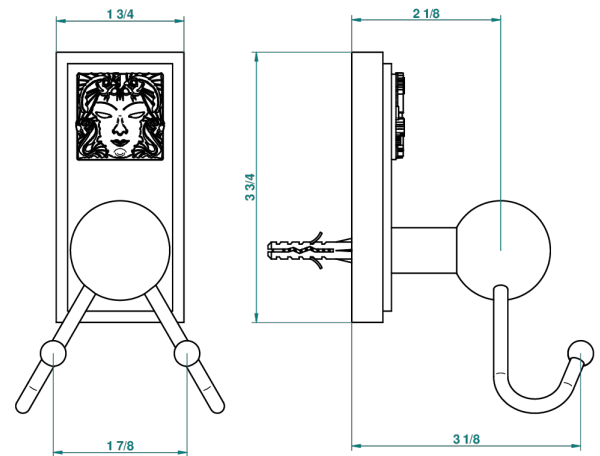


MASQUE DE FEMME SOLAIRE

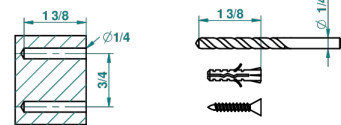
A2S-512

Double hook

THG[®]
PARIS



recommended drilling ϕ
 ϕ de perçage conseillé
empfohlener Abstand
 ϕ de perforación aconsejado



43184

16/02/2012

CHARACTERISTIC

- Masque de Femme Solaire
- Double hook

AVAILABLE FINITIONS

Black ceram - D30
Matt chrome - C02
Matt gold - F07
Matt nickel (color finish) - C01
Polished chrome (color finish) - A02
Polished chrome / Polished gold (color finish) - G02

Polished gold (color finish) - F01
Polished nickel - B01
Soft gold - F30
Soft matt gold - F31