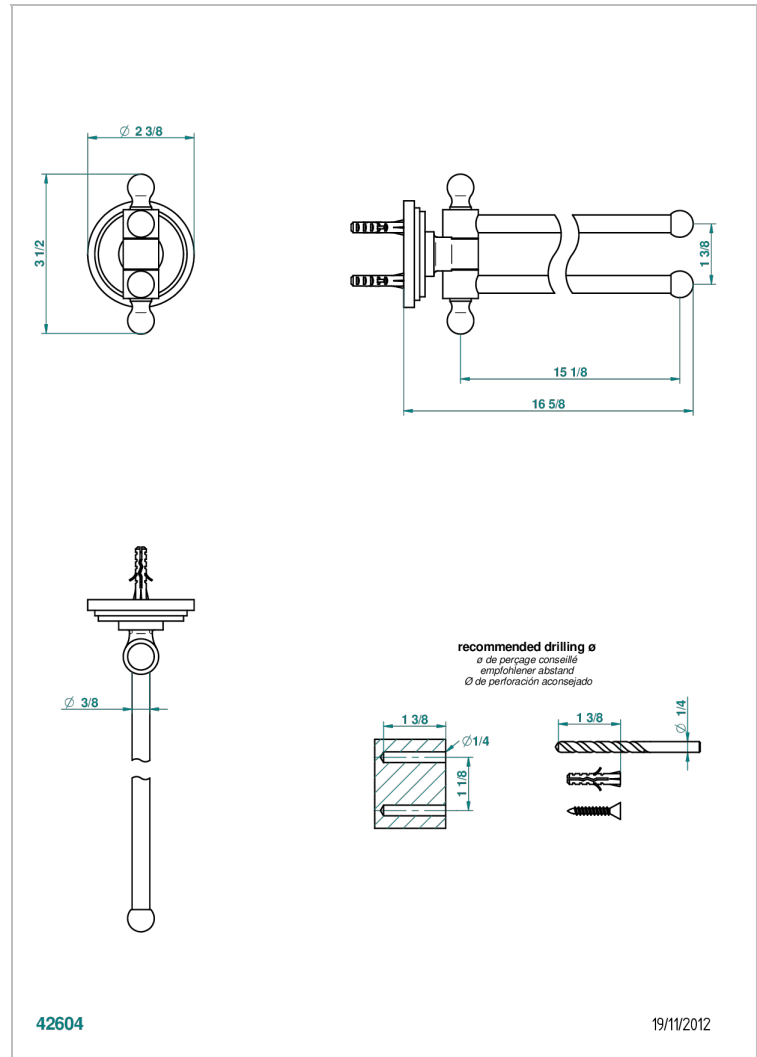


LE 9 NERO MARQUINA

G2I-522

Double towel holder, 2 mobile rails, length: 400 mm, \varnothing 16 mm

THG[®]
PARIS



CHARACTERISTIC

- Le 9 Nero Marquina
- Double towel holder, 2 mobile rails, length: 400 mm, \varnothing 16 mm

AVAILABLE FINITIONS

Antique nickel - H28
Black ceram - D30
Blush PVD - H62
Brass color PVD - H49
Brown bronze color PVD - F33
Gold color PVD - H52

Graphite PVD - H64
Matt Umber PVD - H67
Matt blush PVD - H60
Matt brass color PVD - H50
Matt brown bronze color PVD - F34
Matt chrome - C02

Matt gold - F07
Matt gold color PVD - H53
Matt graphite PVD - H65
Matt nickel (color finish) - C01
Matt nickel color PVD - H56
Natural smoked Brass - A13

Nickel color PVD - H55
Polished chrome (color finish) - A02
Polished chrome / Polished gold
(color finish) - G02
Polished gold (color finish) - F01
Polished nickel - B01
Soft gold - F30

Soft matt gold - F31
Umber PVD - H66