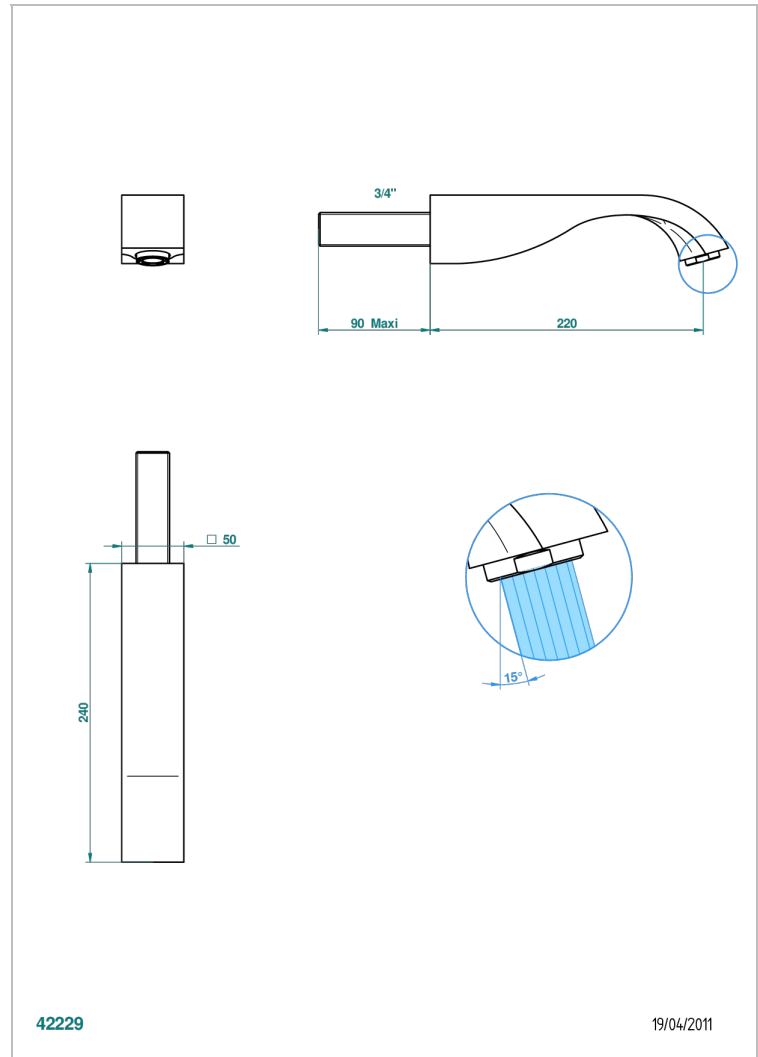


# MASQUE DE FEMME SOLAIRE

A2S-43SGB

Basin wall spout 3/4 no T junction

THG<sup>®</sup>  
PARIS



42229

19/04/2011

## EIGENSCHAFTEN

- Masque de Femme solaire
- Basin wall spout 3/4 no T junction

## TECHNISCHE DATEN

- Recommandé : 3 bars (max. 5 bars) - Advised : 43,5 psi (max. 72 psi)
- 15 l/min à 3 bars (4 gpm at 43.5 psi)

## VERFÜGBARE OBERFLÄCHEN

Blassgold - F30  
Blassgold matt unlackiert - F31  
Chrom - A02  
Chrom / gold - G02  
Chrom matt - C02  
Gold - F01

Gold matt - F07  
Mattschwarz keramik - D30  
Nickel matt - C01  
Silbernickel - B01