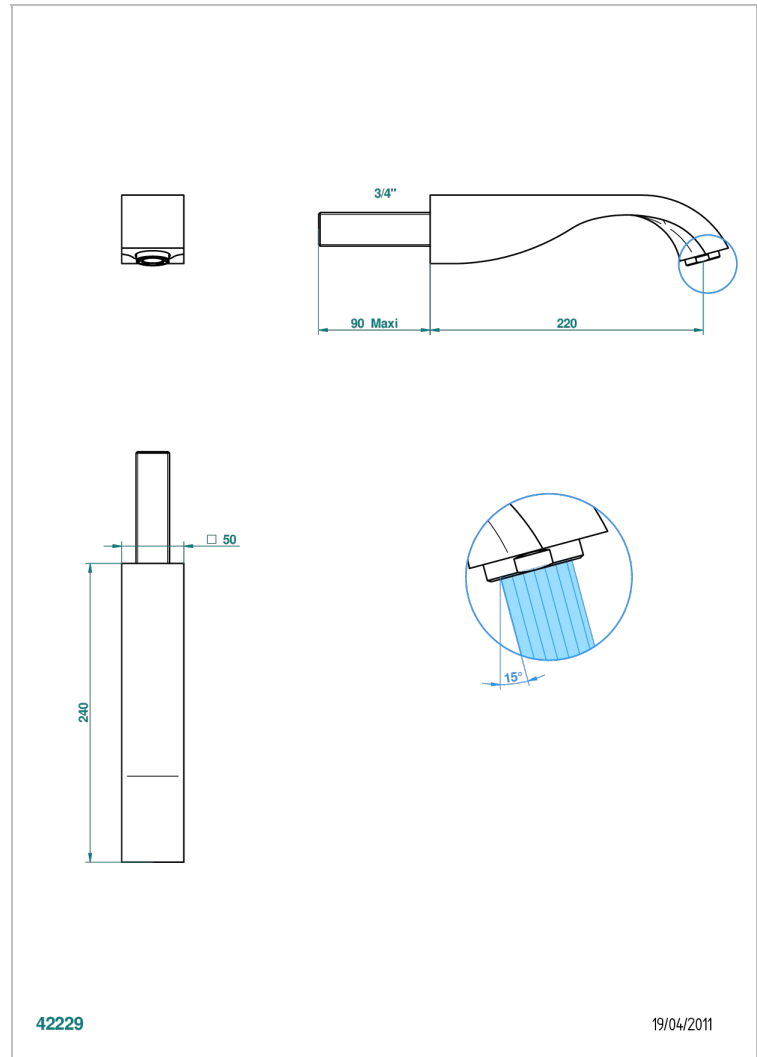


MASQUE DE FEMME LUNAIRE

A2R-43SGB

Basin wall spout 3/4 no T junction

THG[®]
PARIS



CHARACTERISTIC

- Masque de Femme Lunaire
- Basin wall spout 3/4 no T junction

TECHNICAL SPECS

- Recommandé : 3 bars (max. 5 bars) - Advised : 43,5 psi (max. 72 psi)
- 15 l/min à 3 bars (4 gpm at 43.5 psi)

AVAILABLE FINITIONS

Black ceram - D30
Matt chrome - C02
Matt gold - F07
Matt nickel (color finish) - C01
Polished chrome (color finish) - A02
Polished chrome / Polished gold (color finish) - G02

Polished gold (color finish) - F01
Polished nickel - B01
Soft gold - F30
Soft matt gold - F31