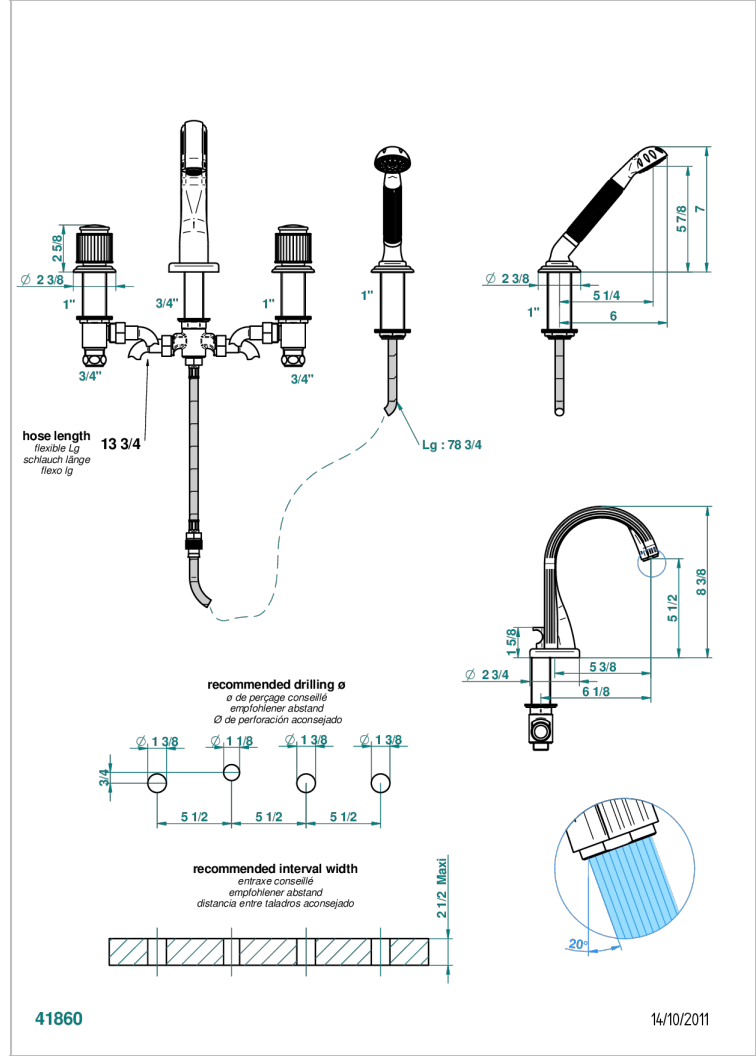
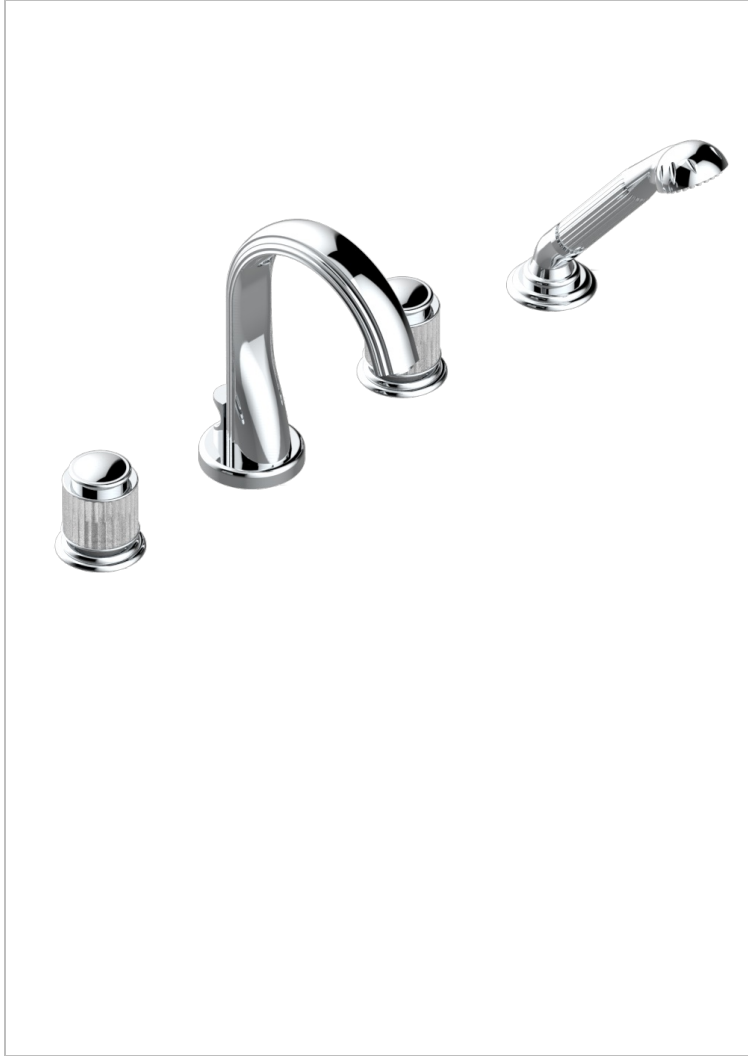


# JAIPUR SATIN CRYSTAL

A9B-112B

Rim mounted 4-hole bath/shower mixer, diverter to normal spout

THG<sup>®</sup>  
PARIS



## CHARACTERISTIC

- ACS : 18ACCLY473
- DVGW : DW-6501CQ0588
- NF : NF EN 200 - IID/A - Chrome

## TECHNICAL SPECS

- Recommandé : 3 bars (max. 5 bars) - Advised : 43,5 psi (max. 72 psi)
- Bec : 44,5 l/min à 3 bars - Douchette : 9,5 l/min à 3 bars
- Spout : 11.78 gpm at 43.5 psi - Handshower : 2.5 gpm at 43.5 psi

## STANDARDS



## AVAILABLE FINITIONS

- |                              |                                   |                                  |  |  |
|------------------------------|-----------------------------------|----------------------------------|--|--|
| Antique nickel - H28         | Graphite PVD - H64                | Matt chrome - C02                | Nickel color PVD - H55                               | Soft matt gold - F31                                   |
| Black ceram - D30            | Lacquered light bronze - D01      | Matt gold - F07                  | Polished chrome (color finish) - A02                 | Umber PVD - H66  |
| Blush PVD - H62              | Matt Umber PVD - H67              | Matt gold color PVD - H53        | Polished chrome / Polished gold (color finish) - G02 | Varnished matt antique red copper (color finish) - H07 |
| Brass color PVD - H49        | Matt blush PVD - H60              | Matt graphite PVD - H65          | Polished gold (color finish) - F01                   |  |
| Brown bronze color PVD - F33 | Matt brass color PVD - H50        | Matt nickel (color finish) - C01 | Polished nickel - B01                                |  |
| Gold color PVD - H52         | Matt brown bronze color PVD - F34 | Matt nickel color PVD - H56      | Soft gold - F30                                      |  |