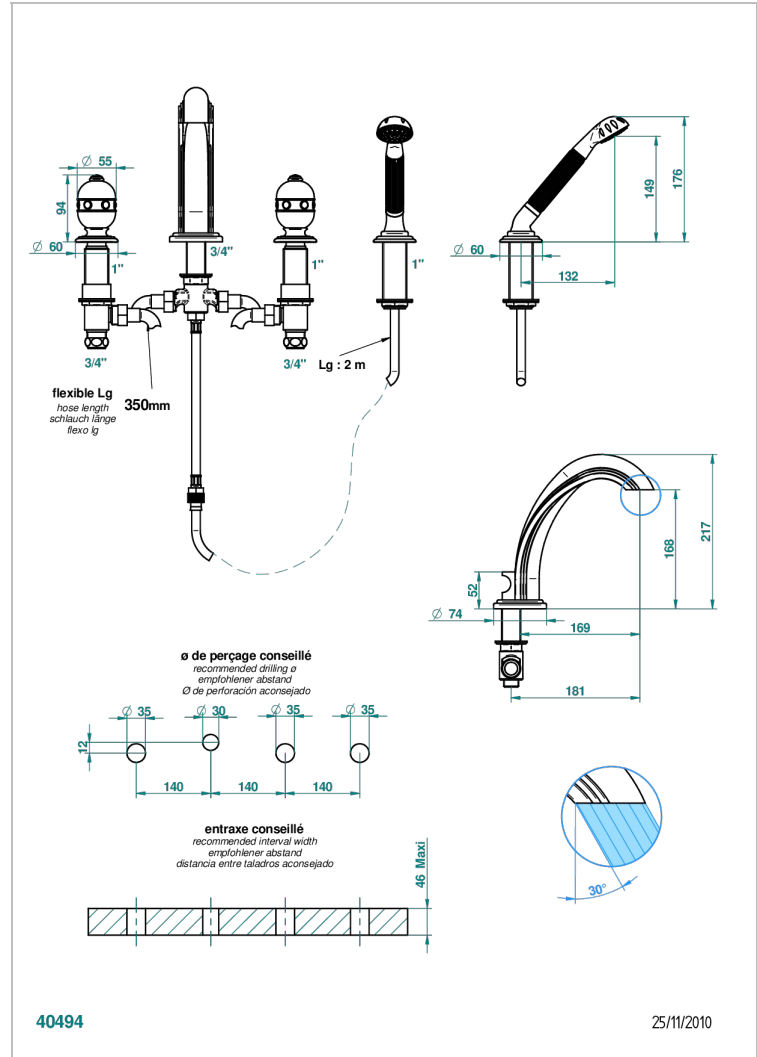
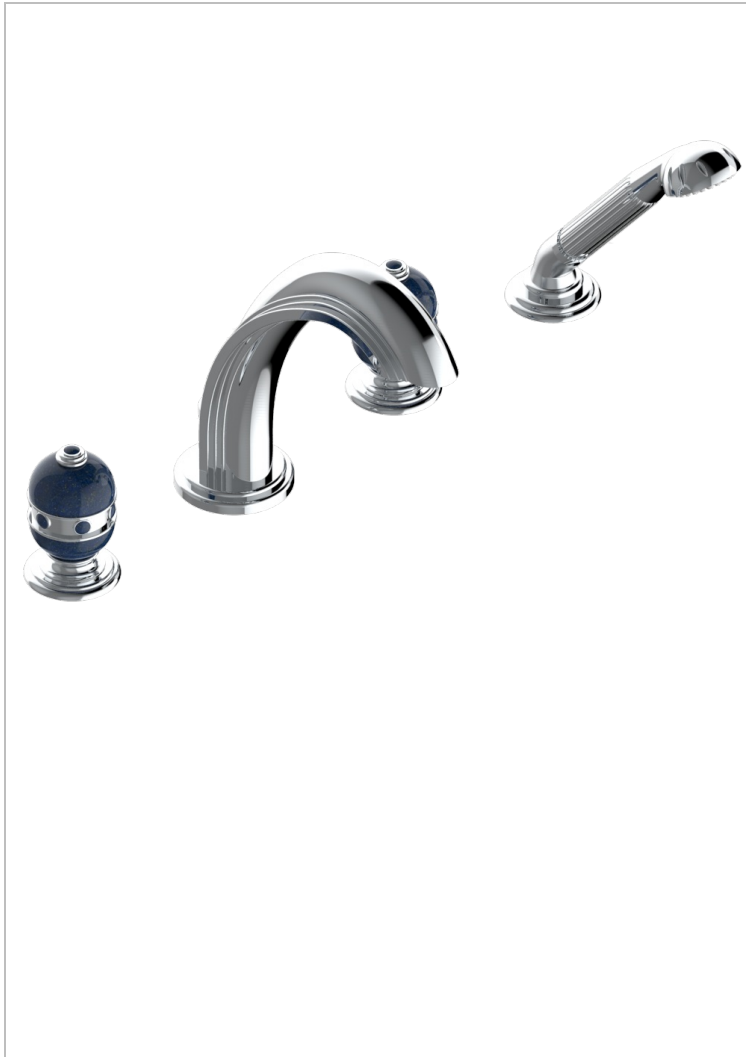


SULLY LAPIS LAZULI

A1W-112BG

Rim mounted 4-hole bath/shower mixer, diverter to goliath spout

THG[®]
PARIS



CHARACTERISTIC

- ACS : 18ACCLY473
- DVGW : DW-6501CO0476
- NF : NF EN 200 - IID/A - Chrome

STANDARDS



AVAILABLE FINITIONS

- | | | | | |
|------------------------------|-----------------------------------|----------------------------------|--|-----------------|
| Antique nickel - H28 | Graphite PVD - H64 | Matt gold - F07 | Polished chrome (color finish) - A02 | Umber PVD - H66 |
| Black ceram - D30 | Matt Umber PVD - H67 | Matt gold color PVD - H53 | Polished chrome / Polished gold (color finish) - G02 | |
| Blush PVD - H62 | Matt blush PVD - H60 | Matt graphite PVD - H65 | Polished gold (color finish) - F01 | |
| Brass color PVD - H49 | Matt brass color PVD - H50 | Matt nickel (color finish) - C01 | Polished nickel - B01 | |
| Brown bronze color PVD - F33 | Matt brown bronze color PVD - F34 | Matt nickel color PVD - H56 | Soft gold - F30 | |
| Gold color PVD - H52 | Matt chrome - C02 | Nickel color PVD - H55 | Soft matt gold - F31 | |