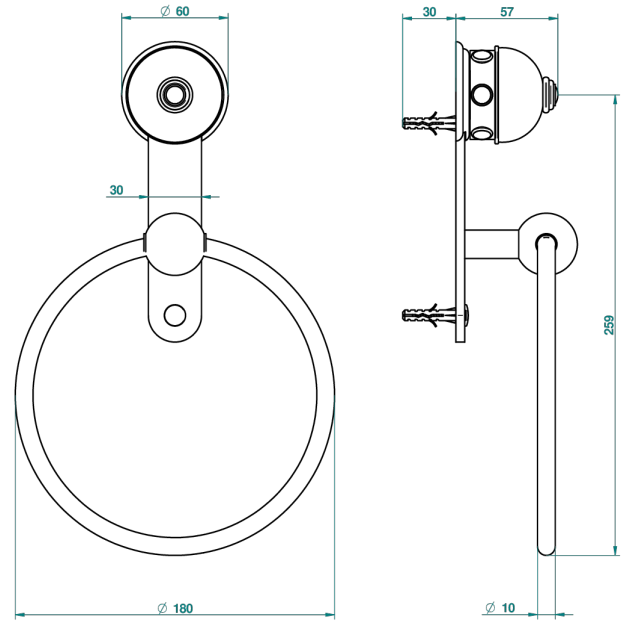


SULLY LAPIS LAZULI

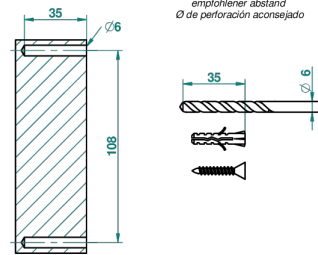
A1W-504N

Towel ring

THG[®]
PARIS



Ø de perçage conseillé
recommended drilling ø
empfohlener abstand
Ø de perforación aconsejado



39739

31/05/2011

CHARACTERISTIC

- Sully Lapis Lazuli
- Towel ring

AVAILABLE FINITIONS

Black ceram - D30
Blush PVD - H62
Brass color PVD - H49
Brown bronze color PVD - F33
Chrome polished - A02
Chrome polished / gold polished - G02

Gold color PVD - H52
Gold mat - F07
Gold polished - F01
Graphite PVD - H64
Matt Umber PVD - H67
Matt blush PVD - H60

Matt brass color PVD - H50
Matt brown bronze color PVD - F34
Matt chrome (American satin) - C02
Matt gold color PVD - H53
Matt graphite PVD - H65
Matt nickel (American satin) - C01

Matt nickel color PVD - H56
Nickel antique / Sovereign - H28
Nickel color PVD - H55
Nickel polished - B01
Soft gold - F30
Soft matt gold - F31

Umber PVD - H66