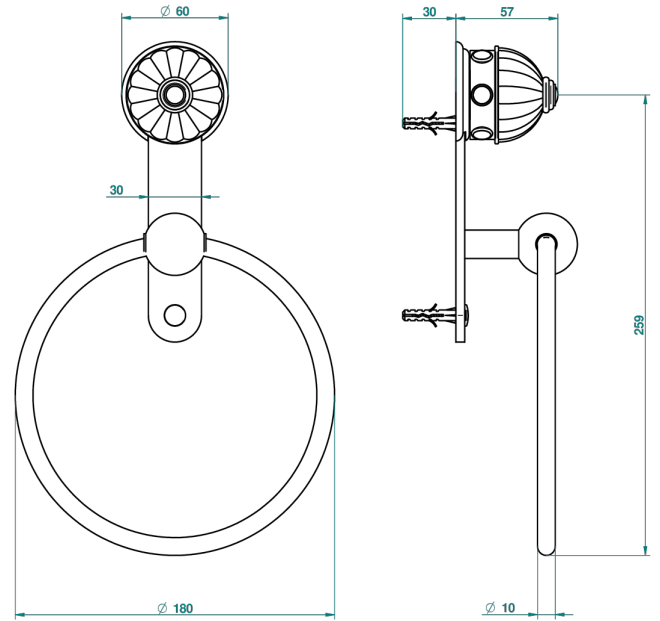


# AMBOISE, ONYX SCHWARZ

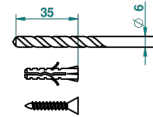
A1M-504N

Handtuchring

THG<sup>®</sup>  
PARIS



Ø de perçage conseillé  
recommended drilling ø  
empfohlener abstand  
Ø de perforación aconsejado



39737

30/05/2011

## EIGENSCHAFTEN

- Amboise, Onyx schwarz
- Handtuchring

## VERFÜGBARE OBERFLÄCHEN

Altnickel - H28  
Blassgold - F30  
Blassgold matt unlackiert - F31  
Chrom - A02  
Chrom / gold - G02  
Chrom matt - C02

Gold - F01  
Gold matt - F07  
Mattschwarz keramik - D30  
Nickel matt - C01  
Pvd blush - H62  
Pvd blush matt - H60

Pvd bronze braun - F33  
Pvd bronze braun matt - F34  
Pvd gold - H52  
Pvd gold matt - H53  
Pvd graphite - H64  
Pvd graphite matt - H65

Pvd messing - H49  
Pvd messing matt - H50  
Pvd nickel - H55  
Pvd nickel matt - H56  
Pvd umber - H66  
Pvd umber matt - H67

Silberrnickel - B01