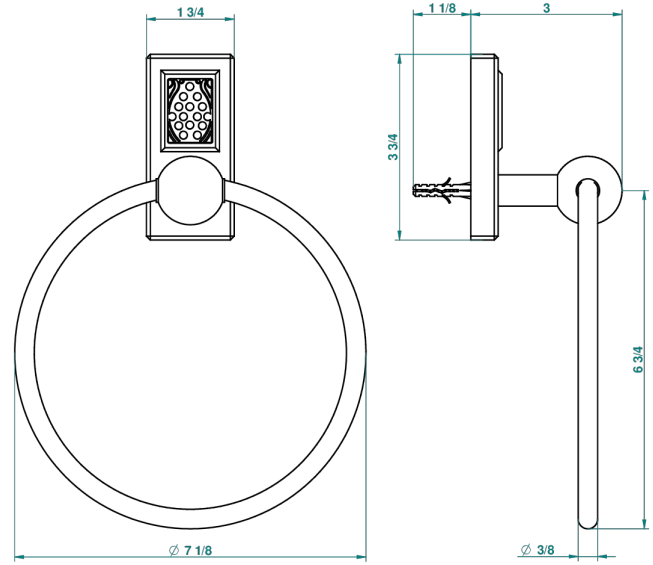


# METROPOLIS BLACK CRYSTAL

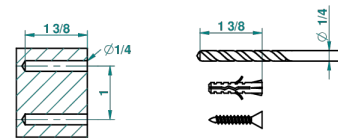
A2L-504N

Towel ring

THG<sup>®</sup>  
PARIS



recommended drilling  $\varnothing$   
*ø de perçage conseillé*  
*empfohlener Abstand*  
*Ø de perforación aconsejado*



39610

10/09/2010

## CHARACTERISTIC

- Métropolis Black crystal
- Towel ring

## AVAILABLE FINITIONS

Black ceram - D30  
Blush PVD - H62  
Brass color PVD - H49  
Brown bronze color PVD - F33  
Chrome polished - A02  
Chrome polished / gold polished - G02

Gold color PVD - H52  
Gold mat - F07  
Gold polished - F01  
Graphite PVD - H64  
Matt Umber PVD - H67  
Matt blush PVD - H60

Matt brass color PVD - H50  
Matt brown bronze color PVD - F34  
Matt chrome (American satin) - C02  
Matt gold color PVD - H53  
Matt graphite PVD - H65  
Matt nickel (American satin) - C01

Matt nickel color PVD - H56  
Nickel antique / Sovereign - H28  
Nickel color PVD - H55  
Nickel polished - B01  
Soft gold - F30  
Soft matt gold - F31

Umber PVD - H66