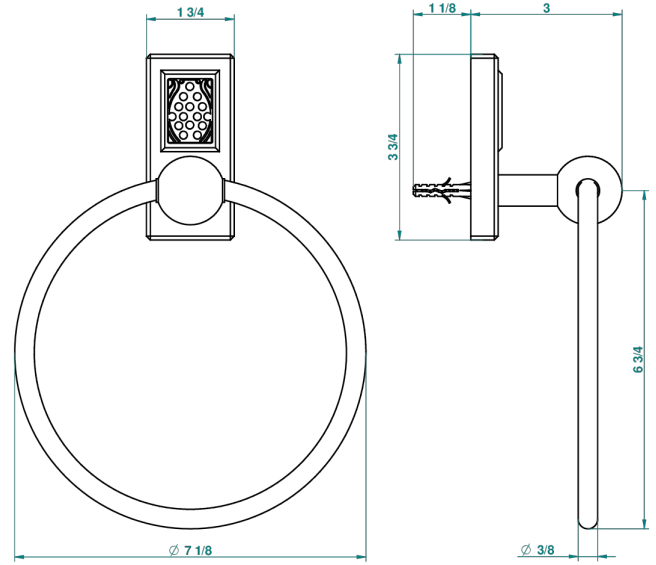


METROPOLIS, KRISTALL SCHWARZ

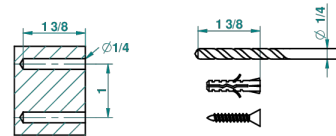
A2L-504N

Handtuchring

THG[®]
PARIS



recommended drilling \varnothing
 \varnothing de perçage conseillé
empfohlener Abstand
 \varnothing de perforación aconsejado



39610

10/09/2010

EIGENSCHAFTEN

- Métropolis, Kristall schwarz
- Handtuchring

VERFÜGBARE OBERFLÄCHEN

Altnickel - H28
Blassgold - F30
Blassgold matt unlackiert - F31
Chrom - A02
Chrom / gold - G02
Chrom matt - C02

Gold - F01
Gold matt - F07
Mattschwarz keramik - D30
Nickel matt - C01
Pvd blush - H62
Pvd blush matt - H60

Pvd bronze braun - F33
Pvd bronze braun matt - F34
Pvd gold - H52
Pvd gold matt - H53
Pvd graphite - H64
Pvd graphite matt - H65

Pvd messing - H49
Pvd messing matt - H50
Pvd nickel - H55
Pvd nickel matt - H56
Pvd umber - H66
Pvd umber matt - H67

Silbernickel - B01