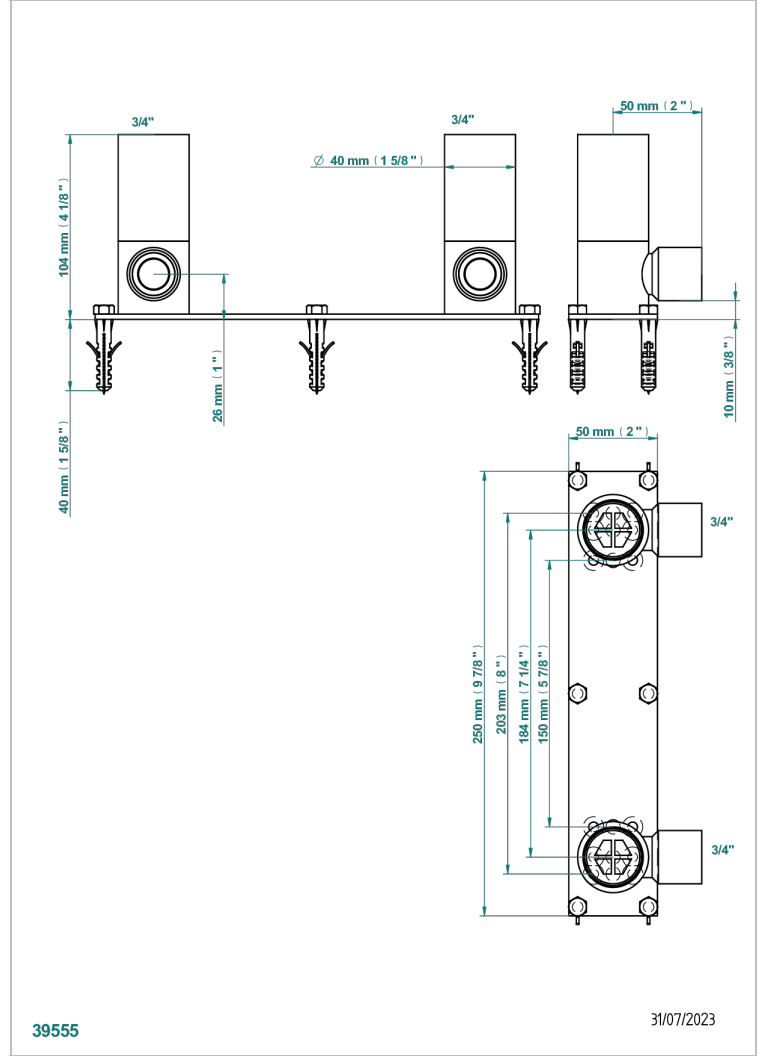
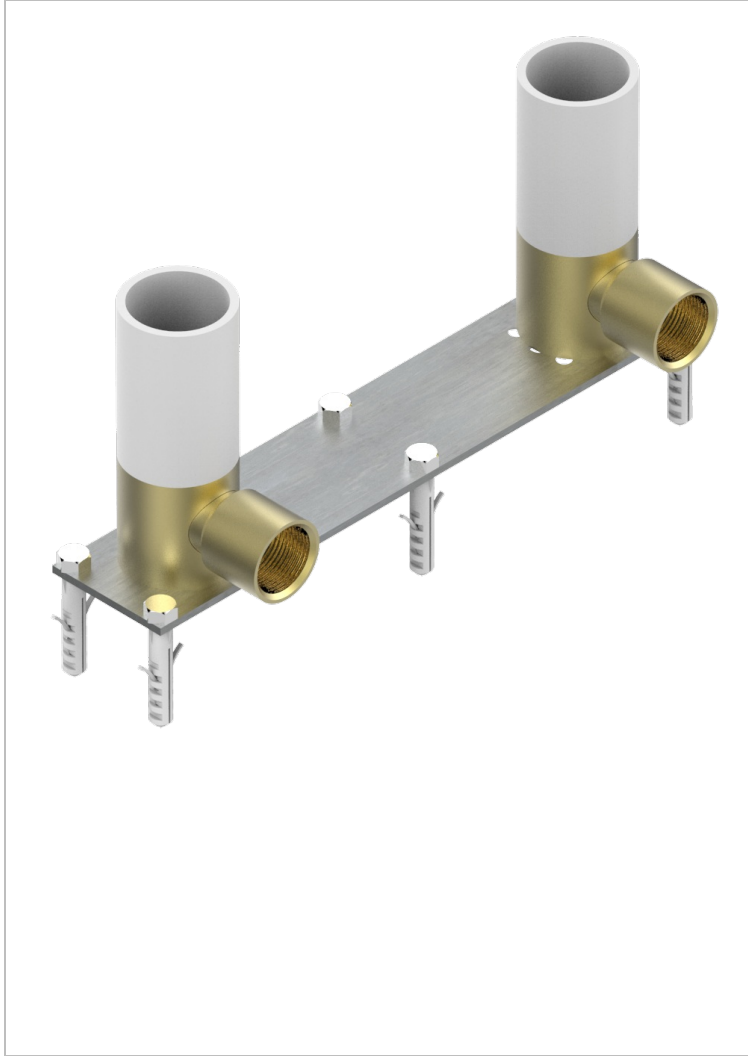


# GENERAL ITEMS

G00-13800A

Set of installation for tub filler



39555

31/07/2023

## CHARACTERISTIC

- General Items
- Set of installation for tub filler

## AVAILABLE FINITIONS

\*\*\* - A00