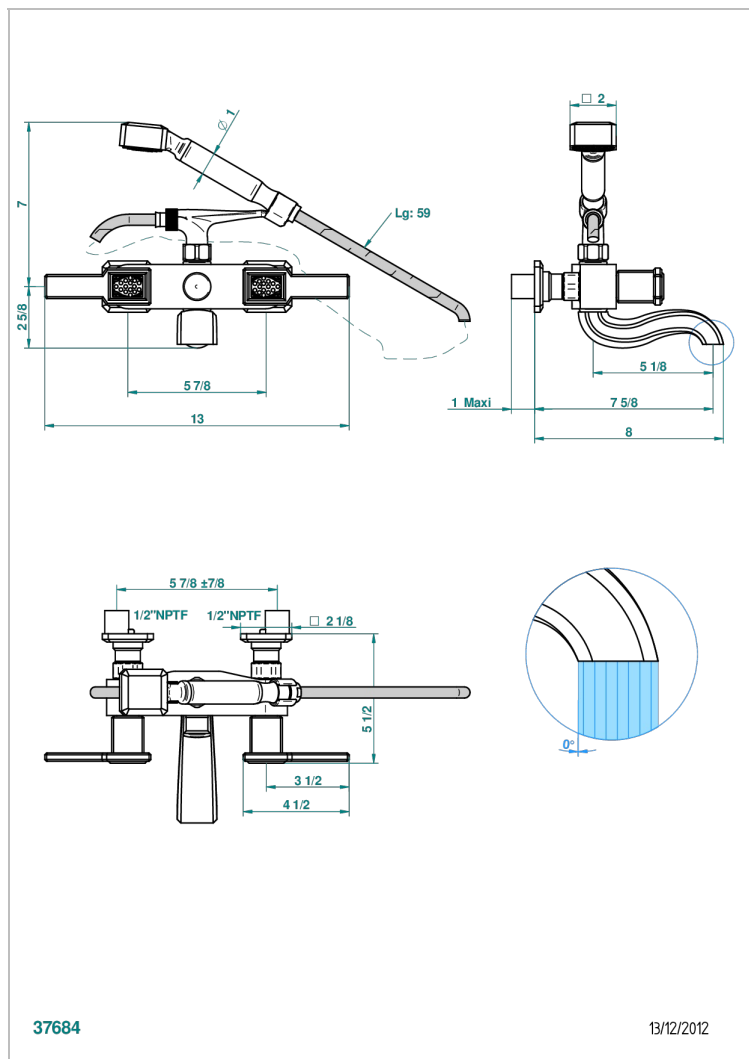


# METROPOLIS CLEAR CRYSTAL WITH LEVER HANDLES

A2B-13B/US

Exposed tub filler with cradle handshower, wall mounted



## CHARACTERISTIC

- ASME : ASME A112.18.1-2011/CSA B125.1-11

## STANDARDS



## AVAILABLE FINITIONS

Black ceram - D30  
Blush PVD - H62  
Brass color PVD - H49  
Brown bronze color PVD - F33  
Chrome polished - A02  
Chrome polished / gold polished - G02

Gold color PVD - H52  
Gold mat - F07  
Gold polished - F01  
Graphite PVD - H64  
Matt Umber PVD - H67  
Matt blush PVD - H60

Matt brass color PVD - H50  
Matt brown bronze color PVD - F34  
Matt chrome (American satin) - C02  
Matt gold color PVD - H53  
Matt graphite PVD - H65  
Matt nickel (American satin) - C01

Matt nickel color PVD - H56  
Nickel antique / Sovereign - H28  
Nickel color PVD - H55  
Nickel polished - B01  
Soft gold - F30  
Soft matt gold - F31

Umber PVD - H66

## TECHNICAL SPECS

- Recommandé : 3 bars (max. 5 bars) - Advised : 43,5 psi (max. 72 psi)
- Bec : 75 l/min à 3 bars - Douchette : 9,5 l/min à 3 bars
- Spout : 19,8 gpm at 43.5 psi - Handshower : 2.5 gpm at 43.5 psi

37684

13/12/2012