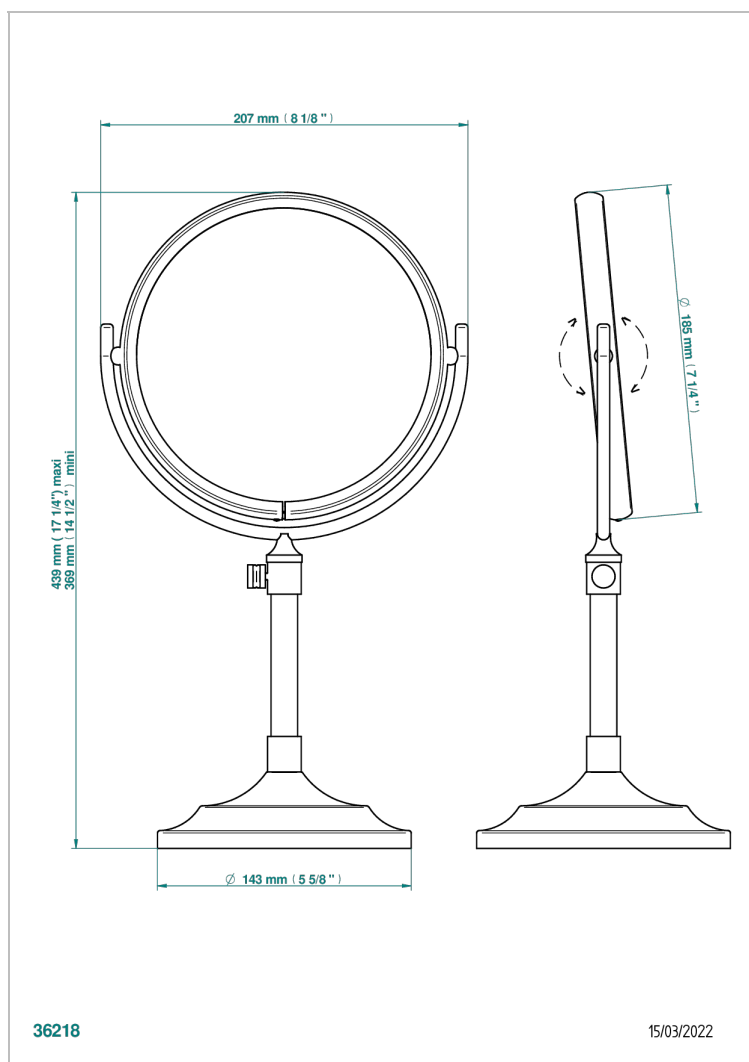


G00-660

Stand mirror, reversible, ø 7", adjustable foot - 1 magnifying face x5 (not available in PVD finishes)



CHARACTERISTIC

- General Products
- Stand mirror, reversible, ø 7", adjustable foot - 1 magnifying face x5 (not available in PVD finishes)

AVAILABLE FINITIONS

Chrome polished - A02
 Chrome polished / gold polished - G02
 Gold mat - F07
 Gold polished - F01
 Light coated bronze - D01
 Matt chrome (American satin) - C02

Matt nickel (American satin) - C01
 Nickel antique / Sovereign - H28
 Nickel polished - B01
 Soft gold - F30
 Soft matt gold - F31