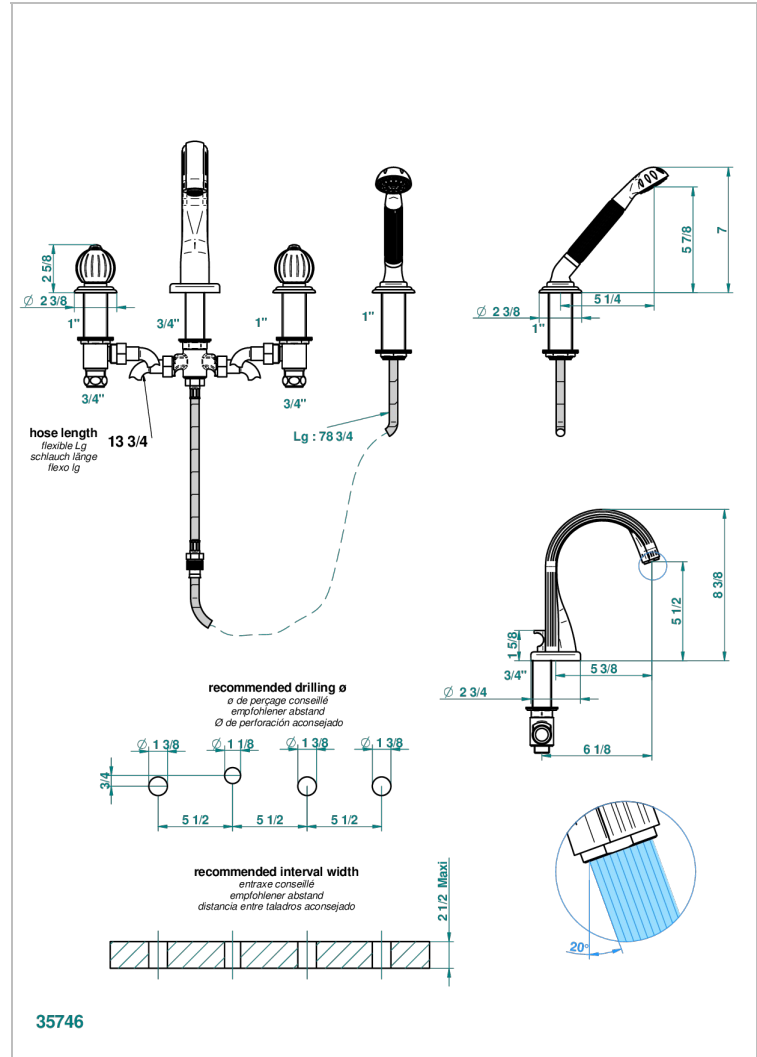


# MANDARINE METAL

U1A-112B

Rim mounted 4-hole bath/shower mixer, diverter to normal spout

THG<sup>®</sup>  
PARIS



## CHARACTERISTIC

- ACS : 18ACCLY473
- DVGW : DW-6501CQ0588
- NF : NF EN 200 - IID/A - Chrome

## TECHNICAL SPECS

- Recommandé : 3 bars (max. 5 bars) - Advised : 43,5 psi (max. 72 psi)
- Bec : 44,5 l/min à 3 bars - Douchette : 9,5 l/min à 3 bars
- Spout : 11.78 gpm at 43.5 psi - Handshower : 2.5 gpm at 43.5 psi

## STANDARDS



## AVAILABLE FINITIONS

Antique nickel - H28  
Black ceram - D30  
Blush PVD - H62  
Brass color PVD - H49  
Brown bronze color PVD - F33  
Gold color PVD - H52

Graphite PVD - H64  
Lacquered light bronze - D01  
Matt Umber PVD - H67  
Matt blush PVD - H60  
Matt brass color PVD - H50  
Matt brown bronze color PVD - F34

Matt chrome - C02  
Matt gold - F07  
Matt gold color PVD - H53  
Matt graphite PVD - H65  
Matt nickel (color finish) - C01  
Matt nickel color PVD - H56

Nickel color PVD - H55  
Polished chrome (color finish) - A02  
Polished chrome / Polished gold (color finish) - G02  
Polished gold (color finish) - F01  
Polished nickel - B01  
Soft gold - F30

Soft matt gold - F31  
Umber PVD - H66  
Varnished matt antique red copper (color finish) - H07