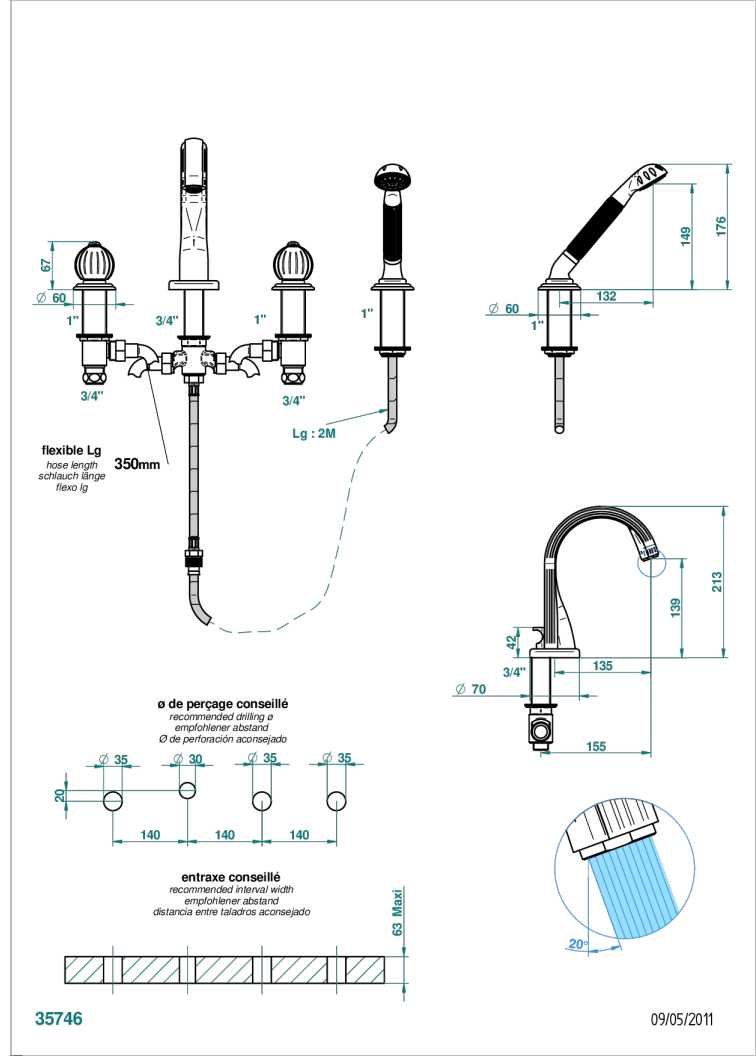


MANDARINE METAL

U1A-112B

Rim mounted 4-hole bath/shower mixer, diverter to normal spout



CHARACTERISTIC

- ACS : 18ACCLY473
- DVGW : DW-6501CQ0588
- NF : NF EN 200 - IID/A - Chrome

TECHNICAL SPECS

- Recommandé : 3 bars (max. 5 bars) - Advised : 43,5 psi (max. 72 psi)
- Bec : 44,5 l/min à 3 bars - Douchette : 9,5 l/min à 3 bars
- Spout : 11.78 gpm at 43.5 psi - Handshower : 2.5 gpm at 43.5 psi

STANDARDS



AVAILABLE FINITIONS

- | | | | | |
|------------------------------|-----------------------------------|----------------------------------|--|--|
| Antique nickel - H28 | Graphite PVD - H64 | Matt chrome - C02 | Nickel color PVD - H55 | Soft matt gold - F31 |
| Black ceram - D30 | Lacquered light bronze - D01 | Matt gold - F07 | Polished chrome (color finish) - A02 | Umber PVD - H66 |
| Blush PVD - H62 | Matt Umber PVD - H67 | Matt gold color PVD - H53 | Polished chrome / Polished gold (color finish) - G02 | Varnished matt antique red copper (color finish) - H07 |
| Brass color PVD - H49 | Matt blush PVD - H60 | Matt graphite PVD - H65 | Polished gold (color finish) - F01 | |
| Brown bronze color PVD - F33 | Matt brass color PVD - H50 | Matt nickel (color finish) - C01 | Polished nickel - B01 | |
| Gold color PVD - H52 | Matt brown bronze color PVD - F34 | Matt nickel color PVD - H56 | Soft gold - F30 | |