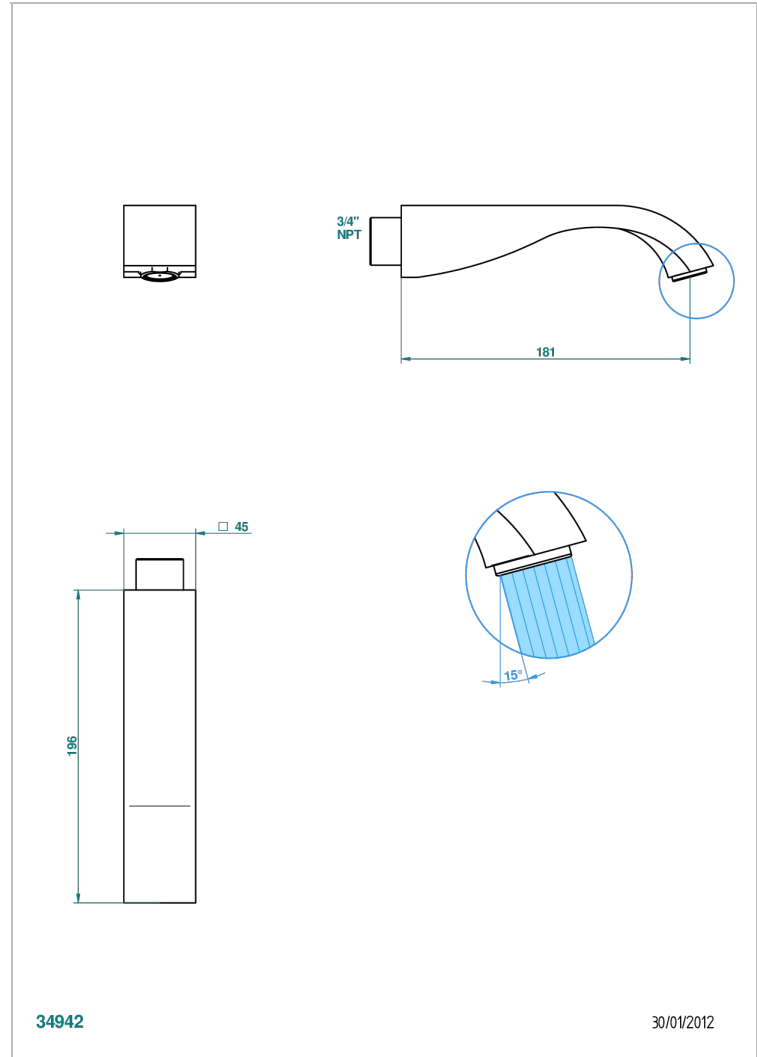


MASQUE DE FEMME SOLAIRE

A2S-22G/US

Wall mounted tub spout

THG[®]
PARIS



CHARACTERISTIC

- ASME : ASME A112.18.1-2011/CSA B125.1-11

STANDARDS



AVAILABLE FINITIONS

- Black ceram - D30
- Chrome polished - A02
- Chrome polished / gold polished - G02
- Gold mat - F07
- Gold polished - F01
- Matt chrome (American satin) - C02

TECHNICAL SPECS

- Recommandé : 3 bars (max. 5 bars) - Advised : 43,5 psi (max. 72 psi)
- Bec : 35 l/min à 3 bars
- Spout : 9.26 gpm at 43.5 psi

- Matt nickel (American satin) - C01
- Nickel polished - B01
- Soft gold - F30
- Soft matt gold - F31