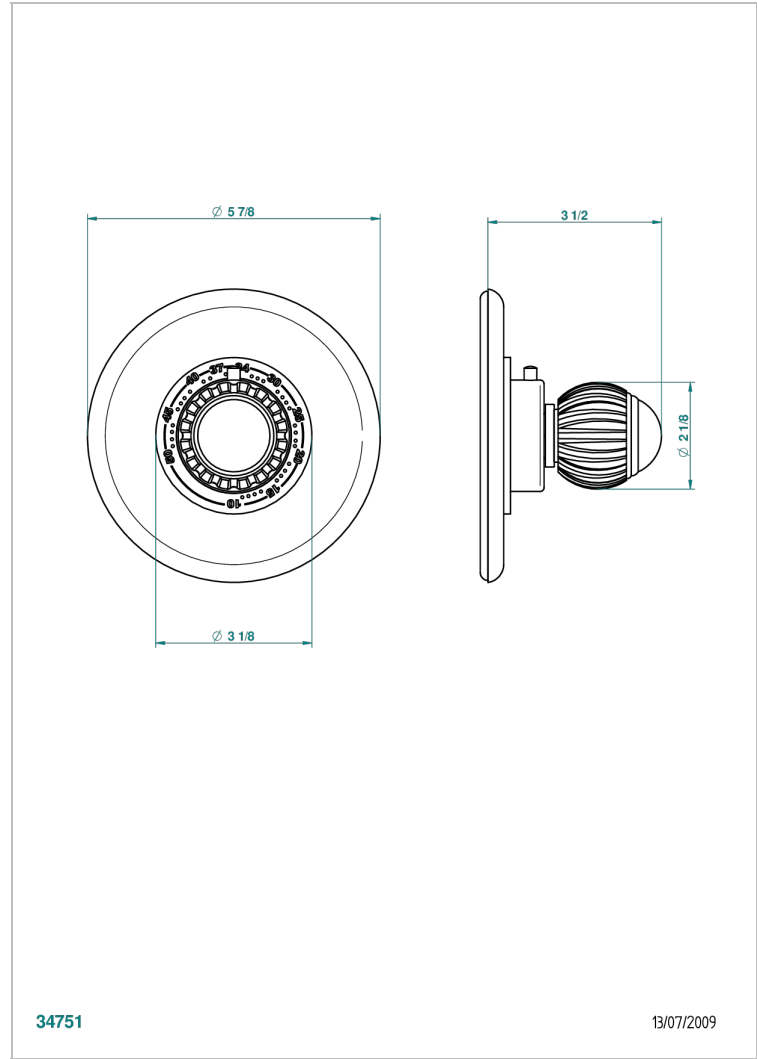


VOGUE TIGER EYE

A8R-15EN16EM

Trim for Eurotherm thermostat n° 8105N, 8200N, 8300

THG[®]
PARIS



34751

13/07/2009

CHARACTERISTIC

- Vogue Tiger Eye
- Trim for Eurotherm thermostat n° 8105N, 8200N, 8300

RELATED SKU'S

- Ref. G00-8105N 1/2" Eurotherm thermostat, 40 l/min with wax cartridge
- Ref. G00-8200N 3/4" Eurotherm thermostat, 80 l/min

AVAILABLE FINITIONS

Antique nickel - H28
Black ceram - D30
Blush PVD - H62
Brass color PVD - H49
Brown bronze color PVD - F33
Gold color PVD - H52

Graphite PVD - H64
Lacquered light bronze - D01
Matt Umber PVD - H67
Matt blush PVD - H60
Matt brass color PVD - H50
Matt brown bronze color PVD - F34

Matt chrome - C02
Matt gold - F07
Matt gold color PVD - H53
Matt graphite PVD - H65
Matt nickel (color finish) - C01
Matt nickel color PVD - H56

Nickel color PVD - H55
Polished chrome (color finish) - A02
Polished chrome / Polished gold (color finish) - G02
Polished gold (color finish) - F01
Polished nickel - B01
Soft gold - F30

Soft matt gold - F31
Umber PVD - H66
Varnished matt antique red copper (color finish) - H07