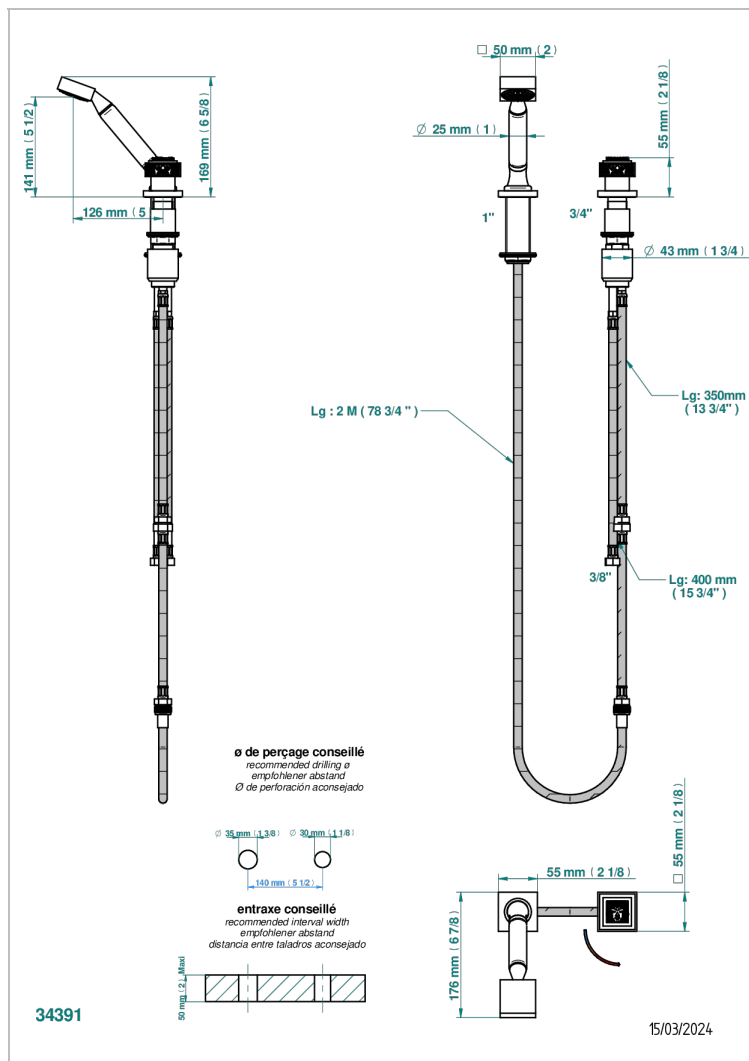


MASQUE DE FEMME LUNAIRE

A2R-6532/60A

Deck mounted mixer with handshower, progressive cartridge

THG[®]
PARIS



CHARACTERISTIC

- ACS : 22ACCLY009

STANDARDS



AVAILABLE FINITIONS

- Black ceram - D30
- Chrome polished - A02
- Chrome polished / gold polished - G02
- Gold mat - F07
- Gold polished - F01
- Matt chrome (American satin) - C02

TECHNICAL SPECS

- Recommandé : 3 bars (max. 5 bars) - Advised : 43,5 psi (max. 72 psi)
- 9,5 l/min à 3 bars (2.5 gpm at 43.5 psi)

- Matt nickel (American satin) - C01
- Nickel polished - B01
- Soft gold - F30
- Soft matt gold - F31