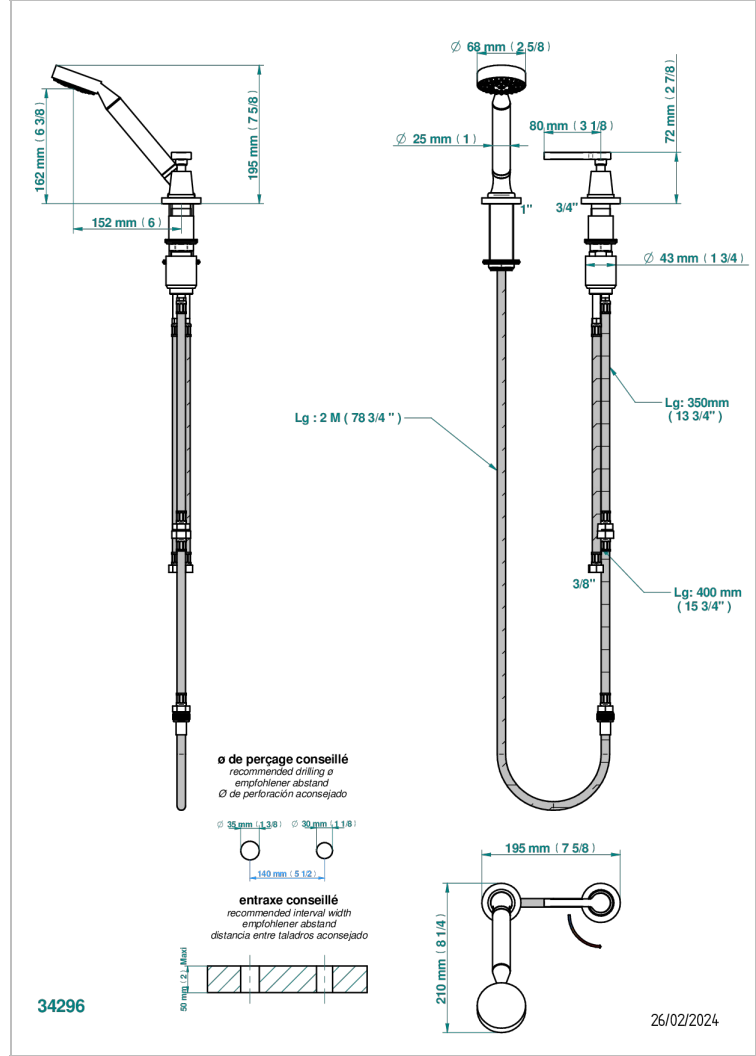
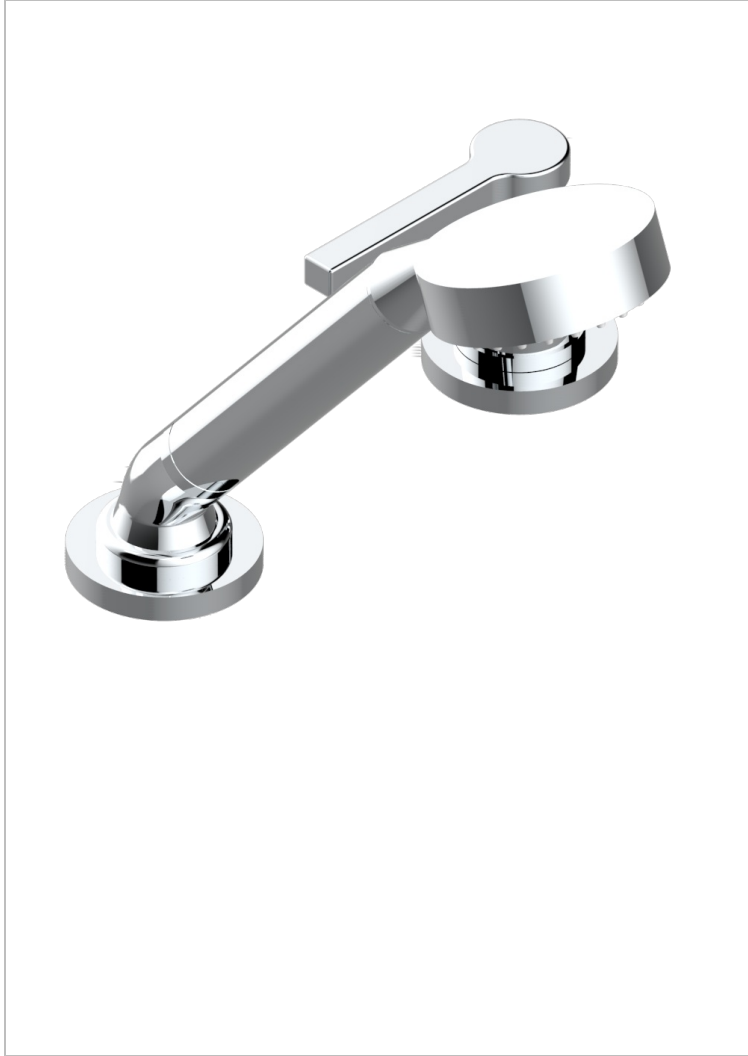


# SPIRIT WITH LEVER

G58-6532/60A

Rim mounted ceramic mixer with handshower with progressive cartridge



## CHARACTERISTIC

- ACS : 22ACCLY009

## TECHNICAL SPECS

- Recommandé : 3 bars (max. 5 bars) - Advised : 43,5 psi (max. 72 psi)
- 9,5 l/min à 3 bars (2.5 gpm at 43.5 psi)

## STANDARDS



## AVAILABLE FINITIONS

- |                              |                                   |                                  |  |  |
|------------------------------|-----------------------------------|----------------------------------|--|--|
| Antique nickel - H28         | Graphite PVD - H64                | Matt chrome - C02                | Natural smoked Brass - A13                           | Soft gold - F30  |
| Black ceram - D30            | Lacquered light bronze - D01      | Matt gold - F07                  | Nickel color PVD - H55                               | Soft matt gold - F31                                   |
| Blush PVD - H62              | Matt Umber PVD - H67              | Matt gold color PVD - H53        | Polished chrome (color finish) - A02                 | Umber PVD - H66  |
| Brass color PVD - H49        | Matt blush PVD - H60              | Matt graphite PVD - H65          | Polished chrome / Polished gold (color finish) - G02 | Varnished matt antique red copper (color finish) - H07 |
| Brown bronze color PVD - F33 | Matt brass color PVD - H50        | Matt nickel (color finish) - C01 | Polished gold (color finish) - F01                   |  |
| Gold color PVD - H52         | Matt brown bronze color PVD - F34 | Matt nickel color PVD - H56      | Polished nickel - B01                                |  |