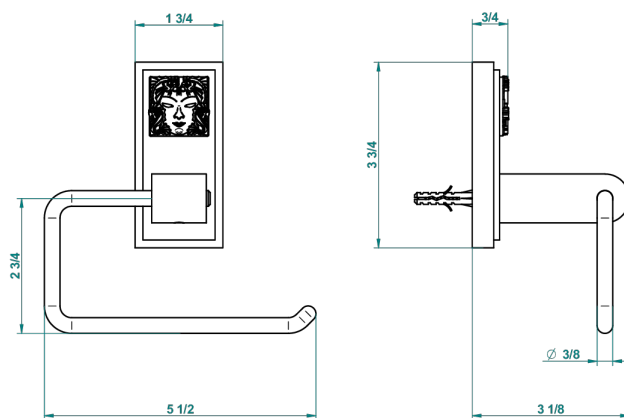


MASQUE DE FEMME LUNAIRE

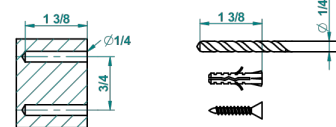
A2R-538A

THG[®]
PARIS

Toilet paper holder, single mount without cover



recommended drilling \varnothing
 \varnothing de perçage conseillé
empfohlener Abstand
 \varnothing de perforación aconsejado



33438

23/02/2017

CHARACTERISTIC

- Masque de Femme Lunaire
- Toilet paper holder, single mount without cover

AVAILABLE FINITIONS

Black ceram - D30
Chrome polished - A02
Chrome polished / gold polished - G02
Gold mat - F07
Gold polished - F01
Matt chrome (American satin) - C02

Matt nickel (American satin) - C01
Nickel polished - B01
Soft gold - F30
Soft matt gold - F31