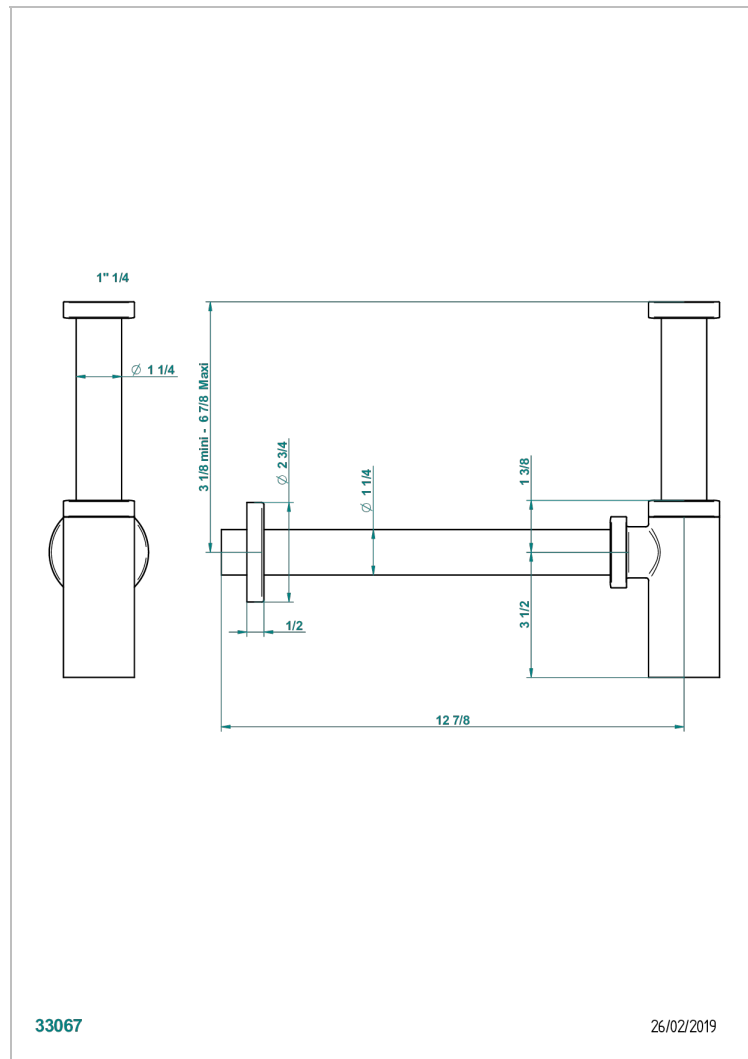


# MONTE CARLO, GOLD PORCELAIN

U8B-309S/US

Trap only for waste

THG<sup>®</sup>  
PARIS



33067

26/02/2019

## CHARACTERISTIC

- Monte Carlo, gold porcelain
- Trap only for waste

## AVAILABLE FINITIONS

Black ceram - D30  
Chrome polished - A02  
Chrome polished / gold polished - G02  
Copper antique matt, coated - H07  
Gold mat - F07  
Gold polished - F01

Light coated bronze - D01  
Matt chrome (American satin) - C02  
Matt nickel (American satin) - C01  
Nickel antique / Sovereign - H28  
Nickel polished - B01  
Soft gold - F30

Soft matt gold - F31