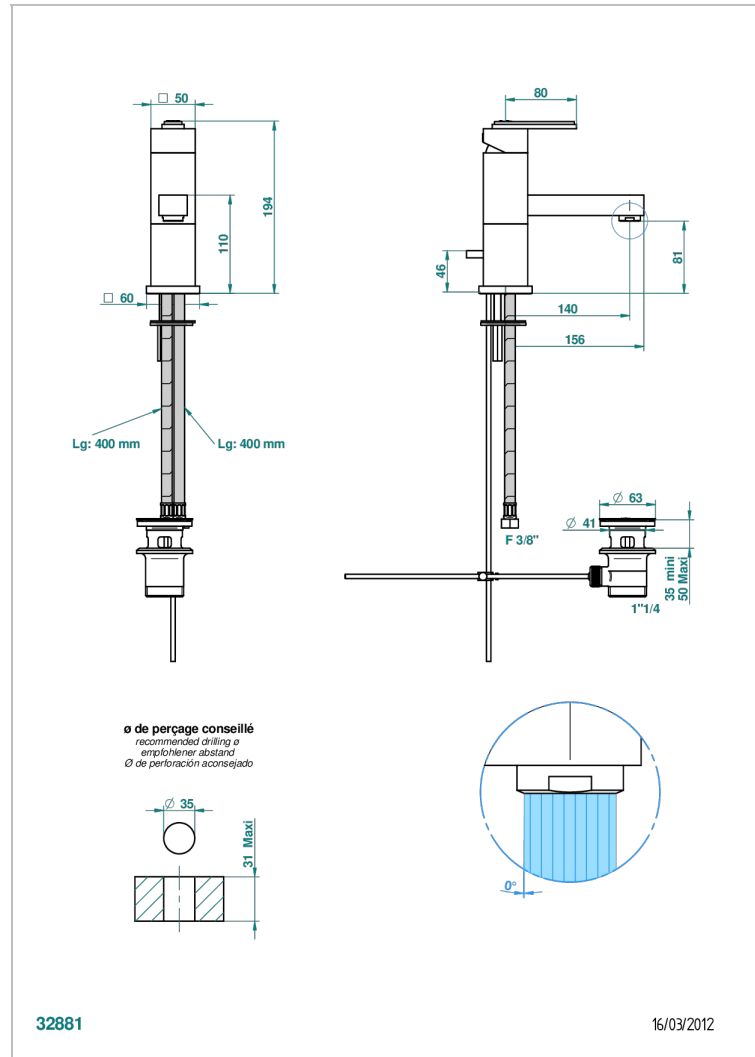


# MASQUE DE FEMME SOLAIRE

A2S-6500

Single lever basin mixer with waste

THG<sup>®</sup>  
PARIS



## CHARACTERISTIC

- ACS : 19ACCLY542
- DVGW : DW-6506CSO423
- NF : NF EN 817 - IZ - Chrome

## STANDARDS



## AVAILABLE FINITIONS

Black ceram - D30  
 Matt chrome - C02  
 Matt gold - F07  
 Matt nickel (color finish) - C01  
 Polished chrome (color finish) - A02  
 Polished chrome / Polished gold (color finish) - G02

## TECHNICAL SPECS

- Recommandé : 3 bars (max. 5 bars) - Advised : 43,5 psi (max. 72 psi)
- 15 l/min à 3 bars (4 gpm at 43.5 psi)

Polished gold (color finish) - F01  
 Polished nickel - B01  
 Soft gold - F30  
 Soft matt gold - F31