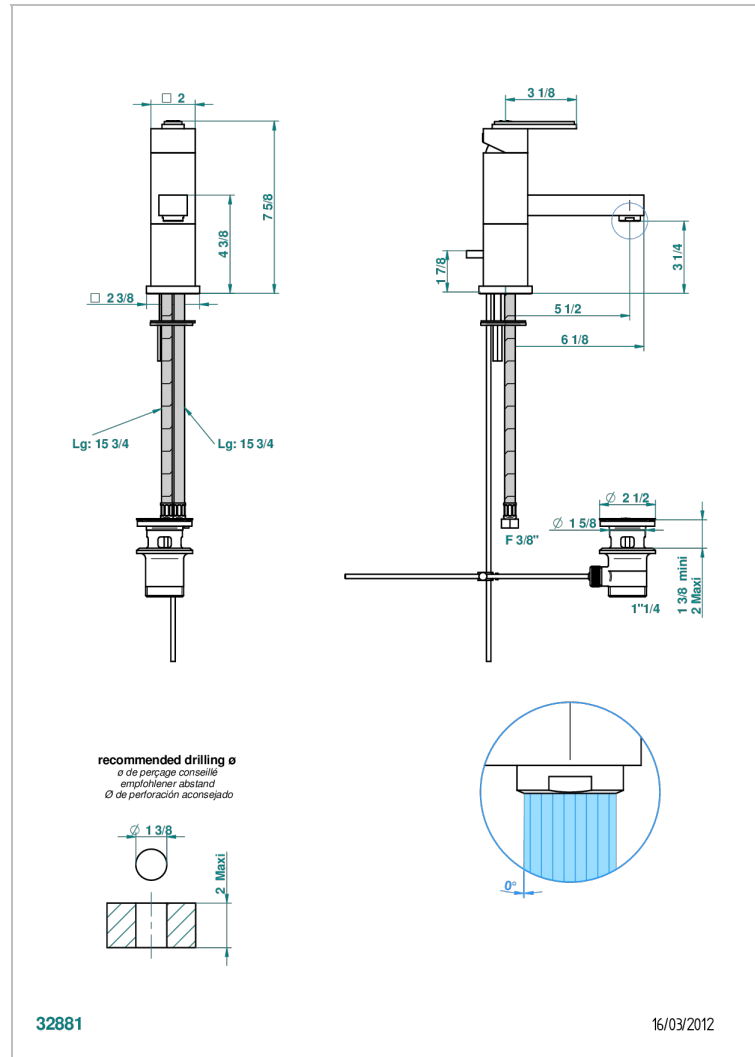


MASQUE DE FEMME LUNAIRE

A2R-6500

Single lever basin mixer with waste

THG[®]
PARIS



CHARACTERISTIC

- ACS : 19ACCLY542
- DVGW : DW-6506CS0423
- NF : NF EN 817 - IZ - Chrome

STANDARDS



AVAILABLE FINITIONS

- Black ceram - D30
- Matt chrome - C02
- Matt gold - F07
- Matt nickel (color finish) - C01
- Polished chrome (color finish) - A02
- Polished chrome / Polished gold (color finish) - G02

TECHNICAL SPECS

- Recommandé : 3 bars (max. 5 bars) - Advised : 43,5 psi (max. 72 psi)
- 15 l/min à 3 bars (4 gpm at 43.5 psi)

- Polished gold (color finish) - F01
- Polished nickel - B01
- Soft gold - F30
- Soft matt gold - F31