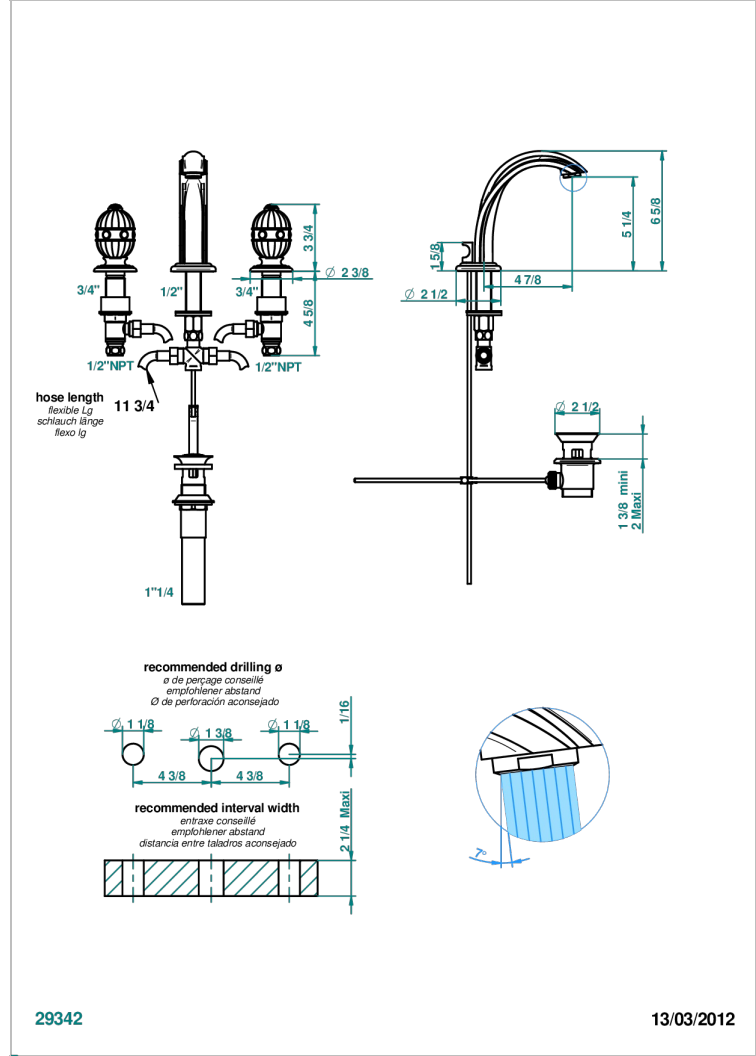


AMBOISE RED JASPER

A1L-151/US

Widespread lavatory set with drain



CHARACTERISTIC

- ASME : ASME A112.18.1-2011/CSA B125.1-11

TECHNICAL SPECS

- Recommandé : 3 bars (max. 5 bars) - Advised : 43,5 psi (max. 72 psi)
- 5,7 l/min à 3 bars (1.5 gpm at 43.5 psi)

STANDARDS



AVAILABLE FINITIONS

- Black ceram - D30
- Blush PVD - H62
- Brass color PVD - H49
- Brown bronze color PVD - F33
- Chrome polished - A02
- Chrome polished / gold polished - G02

- Gold color PVD - H52
- Gold mat - F07
- Gold polished - F01
- Graphite PVD - H64
- Matt Umber PVD - H67
- Matt blush PVD - H60

- Matt brass color PVD - H50
- Matt brown bronze color PVD - F34
- Matt chrome (American satin) - C02
- Matt gold color PVD - H53
- Matt graphite PVD - H65
- Matt nickel (American satin) - C01

- Matt nickel color PVD - H56
- Nickel antique / Sovereign - H28
- Nickel color PVD - H55
- Nickel polished - B01
- Soft gold - F30
- Soft matt gold - F31

- Umber PVD - H66