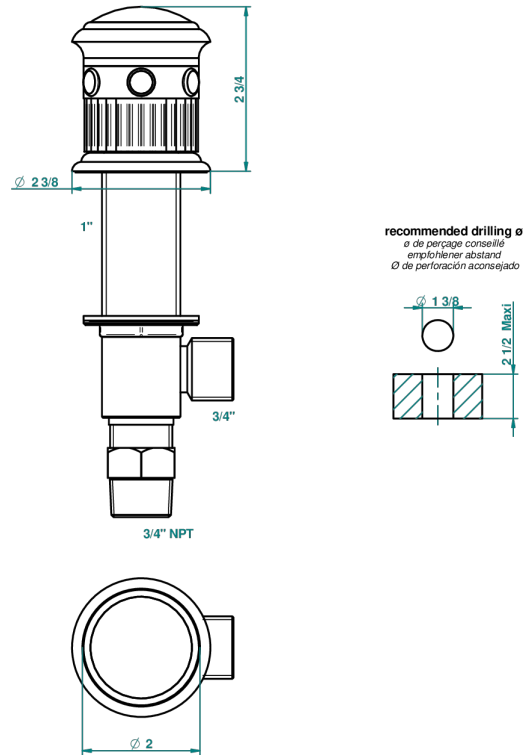
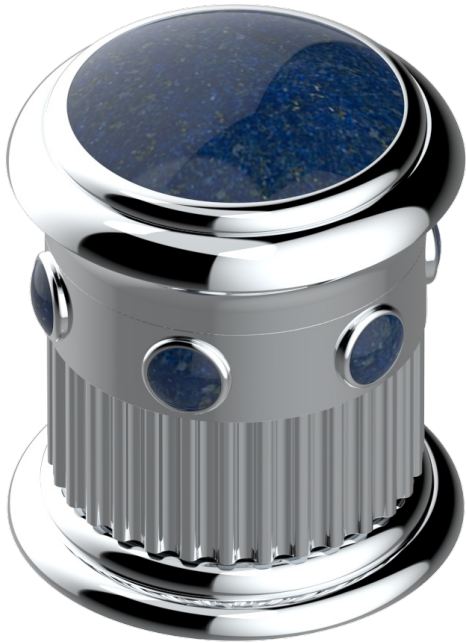


# TROCADERO LAPIS LAZULI

U7B-36/US

3/4" deck valve with trim



29279

16/05/2008

## CHARACTERISTIC

- ASME : ASME A112.18.1-2011/CSA B125.1-11

## STANDARDS



## AVAILABLE FINITIONS

Black ceram - D30  
 Blush PVD - H62  
 Brass color PVD - H49  
 Brown bronze color PVD - F33  
 Chrome polished - A02  
 Chrome polished / gold polished - G02

Gold color PVD - H52  
 Gold mat - F07  
 Gold polished - F01  
 Graphite PVD - H64  
 Matt Umber PVD - H67  
 Matt blush PVD - H60

Matt brass color PVD - H50  
 Matt brown bronze color PVD - F34  
 Matt chrome (American satin) - C02  
 Matt gold color PVD - H53  
 Matt graphite PVD - H65  
 Matt nickel (American satin) - C01

Matt nickel color PVD - H56  
 Nickel antique / Sovereign - H28  
 Nickel color PVD - H55  
 Nickel polished - B01  
 Soft gold - F30  
 Soft matt gold - F31

Umber PVD - H66