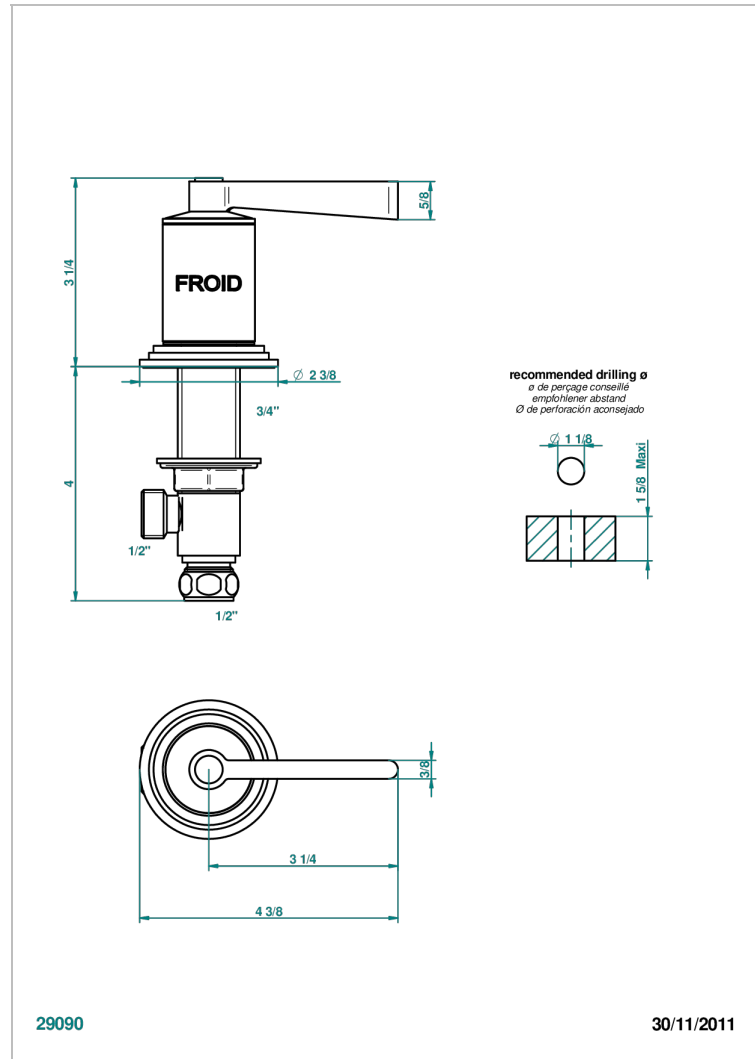


G2M-35/C

Einbauventil zur Standmontage 1/2", Kalt



EIGENSCHAFTEN

- Faubourg, Porzellan schwarz, Hebel
- Einbauventil zur Standmontage 1/2", Kalt

VERFÜGBARE OBERFLÄCHEN

Altnickel - H28
 Blassgold - F30
 Blassgold matt unlackiert - F31
 Chrom - A02
 Chrom / gold - G02
 Chrom matt - C02

Gold - F01
 Gold matt - F07
 Mattschwarz keramik - D30
 Natural smoked Brass - A13
 Nickel matt - C01
 Pvd blush - H62

Pvd blush matt - H60
 Pvd bronze braun - F33
 Pvd bronze braun matt - F34
 Pvd gold - H52
 Pvd gold matt - H53
 Pvd graphite - H64

Pvd graphite matt - H65
 Pvd messing - H49
 Pvd messing matt - H50
 Pvd nickel - H55
 Pvd nickel matt - H56
 Pvd umber - H66

Pvd umber matt - H67
 Silberrnickel - B01