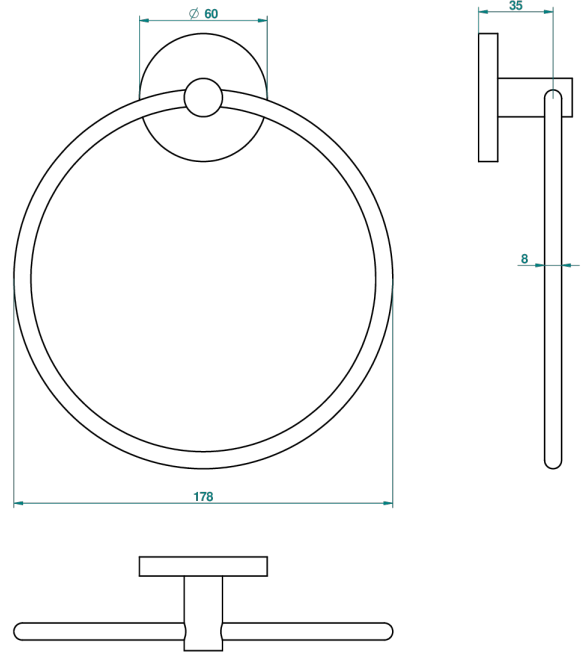


# NANO WITH LEVER HANDLES

G5B-504P

Towel ring

THG<sup>®</sup>  
PARIS



27742

14/05/2012

## CHARACTERISTIC

- Nano with lever handles
- Towel ring

## AVAILABLE FINITIONS

Black ceram - D30  
Chrome polished - A02  
Chrome polished / gold polished - G02  
Gold mat - F07  
Gold polished - F01  
Matt chrome (American satin) - C02

Matt nickel (American satin) - C01  
Nickel antique / Sovereign - H28  
Nickel polished - B01  
Soft gold - F30  
Soft matt gold - F31