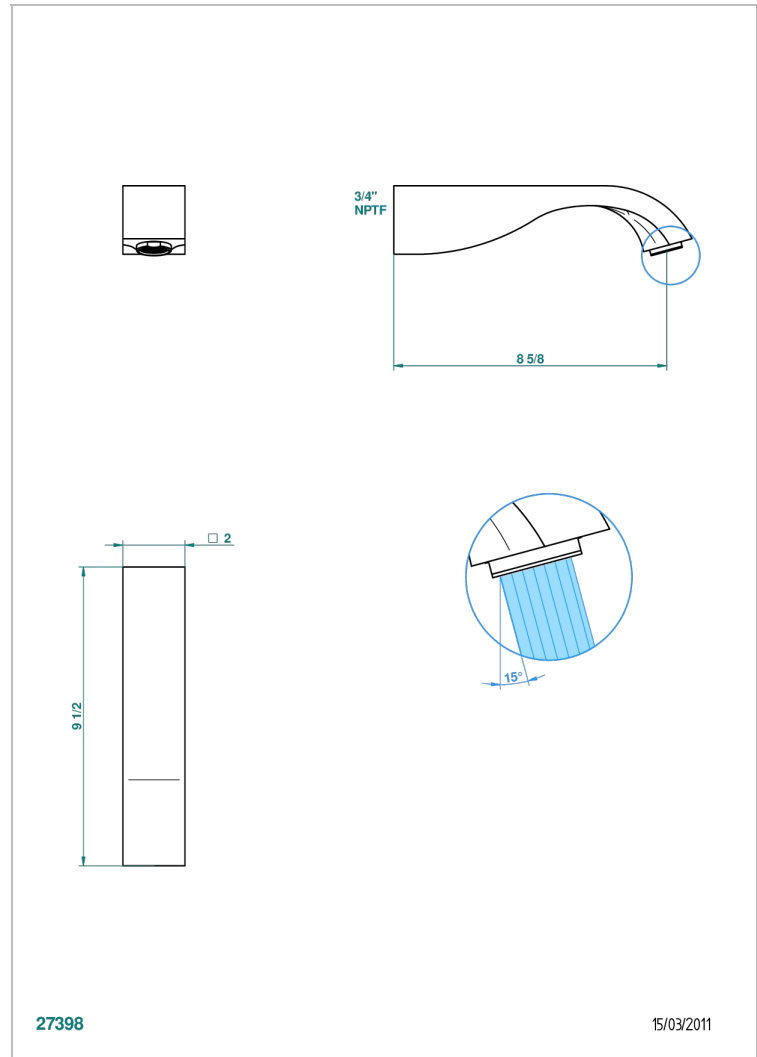
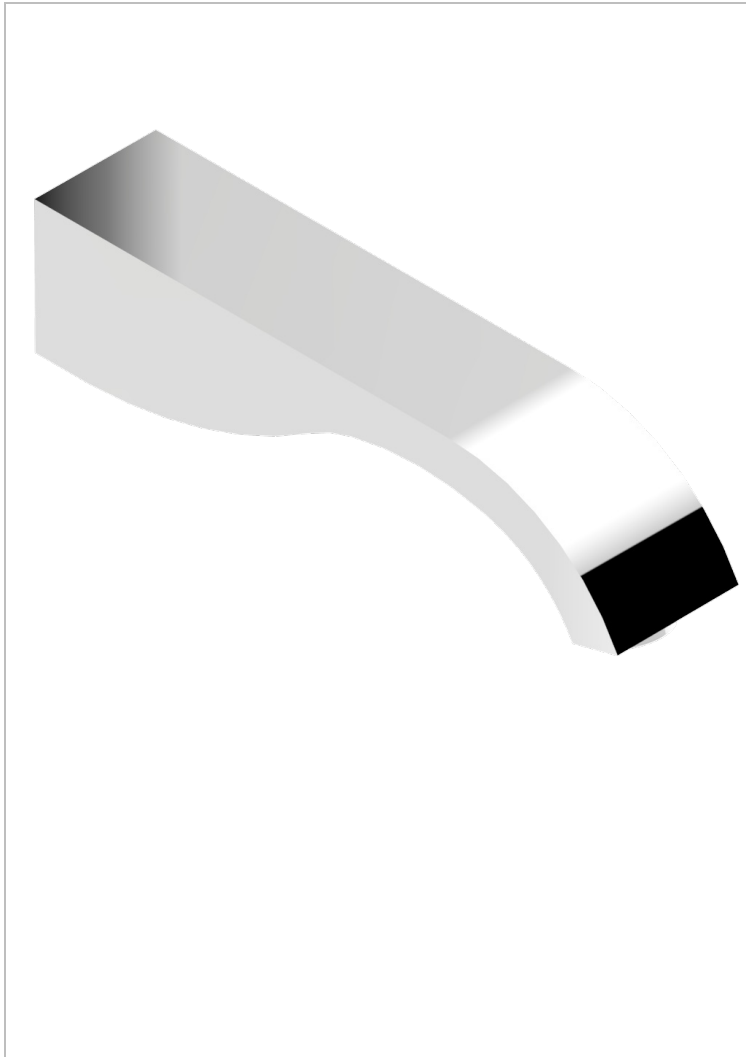


# MASQUE DE FEMME LUNAIRE

A2R-22SG/US

Wall mounted tub spout

THG<sup>®</sup>  
PARIS



## CHARACTERISTIC

- ASME : ASME A112.18.1-2011/CSA B125.1-11

## STANDARDS



## AVAILABLE FINITIONS

Black ceram - D30  
Chrome polished - A02  
Chrome polished / gold polished - G02  
Gold mat - F07  
Gold polished - F01  
Matt chrome (American satin) - C02

## TECHNICAL SPECS

- Recommandé : 3 bars (max. 5 bars) - Advised : 43,5 psi (max. 72 psi)
- Bec : 35 l/min à 3 bars
- Spout : 9.26 gpm at 43.5 psi

Matt nickel (American satin) - C01  
Nickel polished - B01  
Soft gold - F30  
Soft matt gold - F31