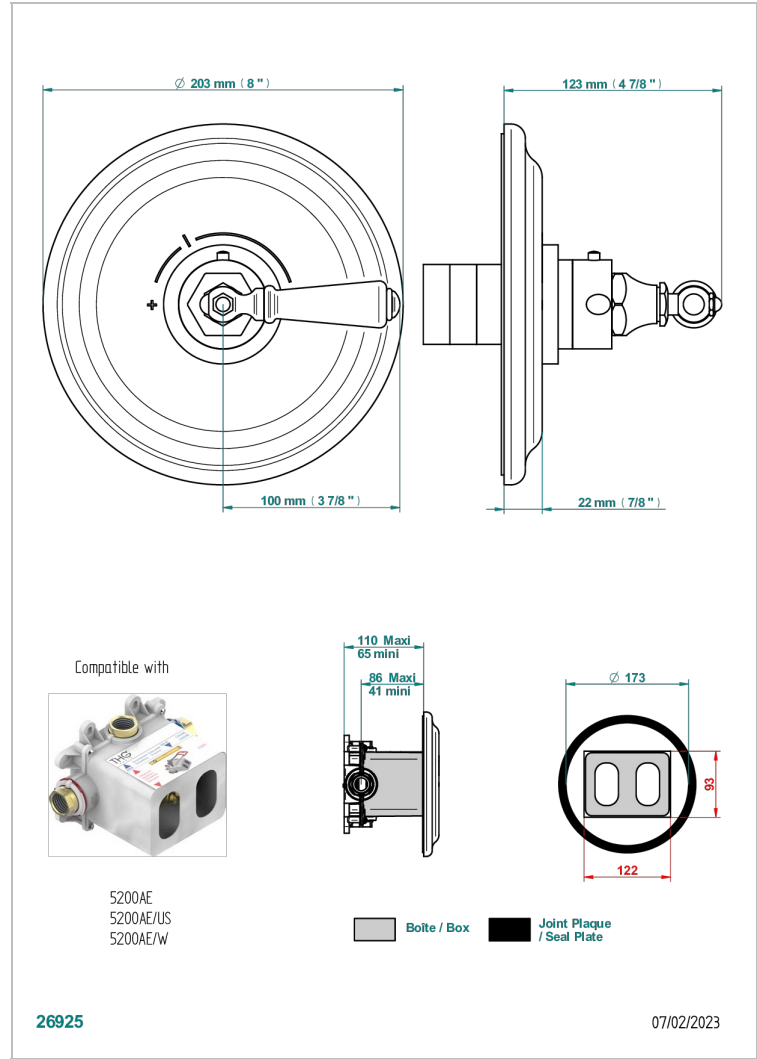


# CHARLESTON WITH LEVER

G75-5100BR

Trim for THG thermostat - ref. 5 100A 1/2", 5 200A & 5 200AE 3/4" - round plate model

THG<sup>®</sup>  
PARIS



## CHARACTERISTIC

- Requires concealed thermostat ref. 5200AE, 5200AE/US and 5200AE/W
- Temperature control knob with security stop at 38°C
- On/off valves (or diverter with stop function) required for each shower function
- Solid brass plate and knob
- ASME : ASME A112.18.1-2011/CSA B125.1-11

## STANDARDS



## RELATED SKU'S

- Ref. G00-5100C Wall connector for THG thermostatic valves , for wall built-in depth between 80 and 125 mm
- Ref. G00-5100G Reinforced stop ring for THG thermostatic with fixing set
- Ref. G00-5200AE 3/4" THG thermostat, 60 l/min with wax cartridge, delivered with a built-in box, no trim

## AVAILABLE FINITIONS

Antique nickel - H28  
Black ceram - D30  
Blush PVD - H62  
Brass color PVD - H49  
Brown bronze color PVD - F33  
Gold color PVD - H52

Graphite PVD - H64  
Lacquered light bronze - D01  
Matt Umber PVD - H67  
Matt blush PVD - H60  
Matt brass color PVD - H50  
Matt brown bronze color PVD - F34

Matt chrome - C02  
Matt gold - F07  
Matt gold color PVD - H53  
Matt graphite PVD - H65  
Matt nickel (color finish) - C01  
Matt nickel color PVD - H56

Natural smoked Brass - A13  
Nickel color PVD - H55  
Polished chrome (color finish) - A02  
Polished chrome / Polished gold (color finish) - G02  
Polished gold (color finish) - F01  
Polished nickel - B01

Soft gold - F30  
Soft matt gold - F31  
Umber PVD - H66