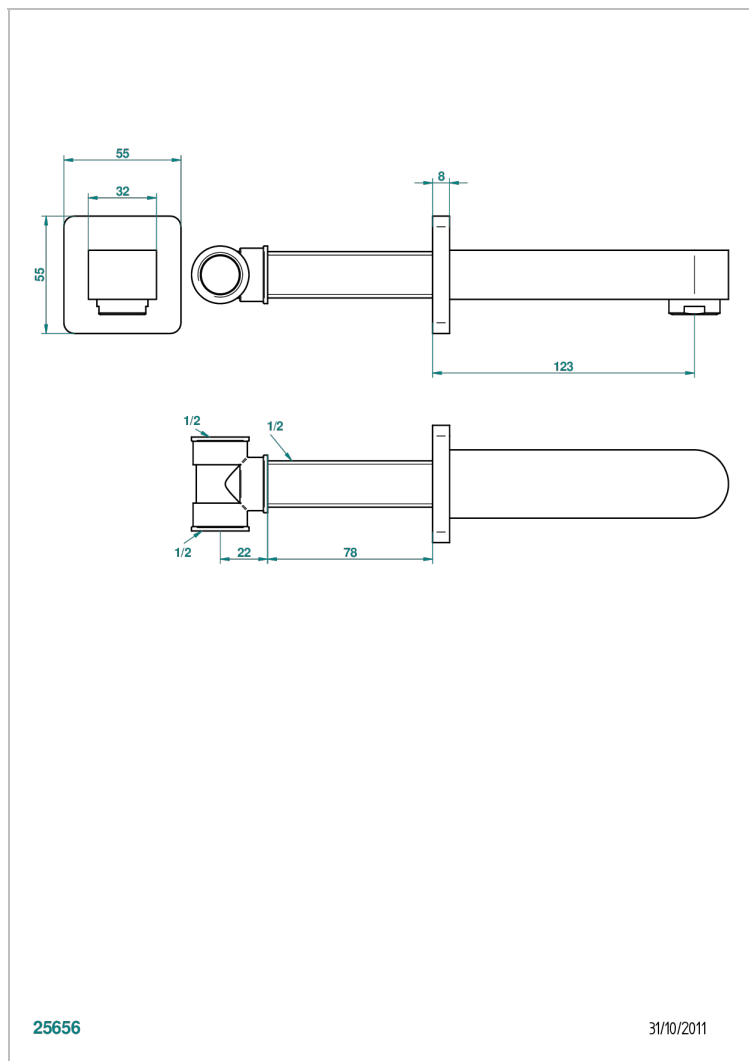
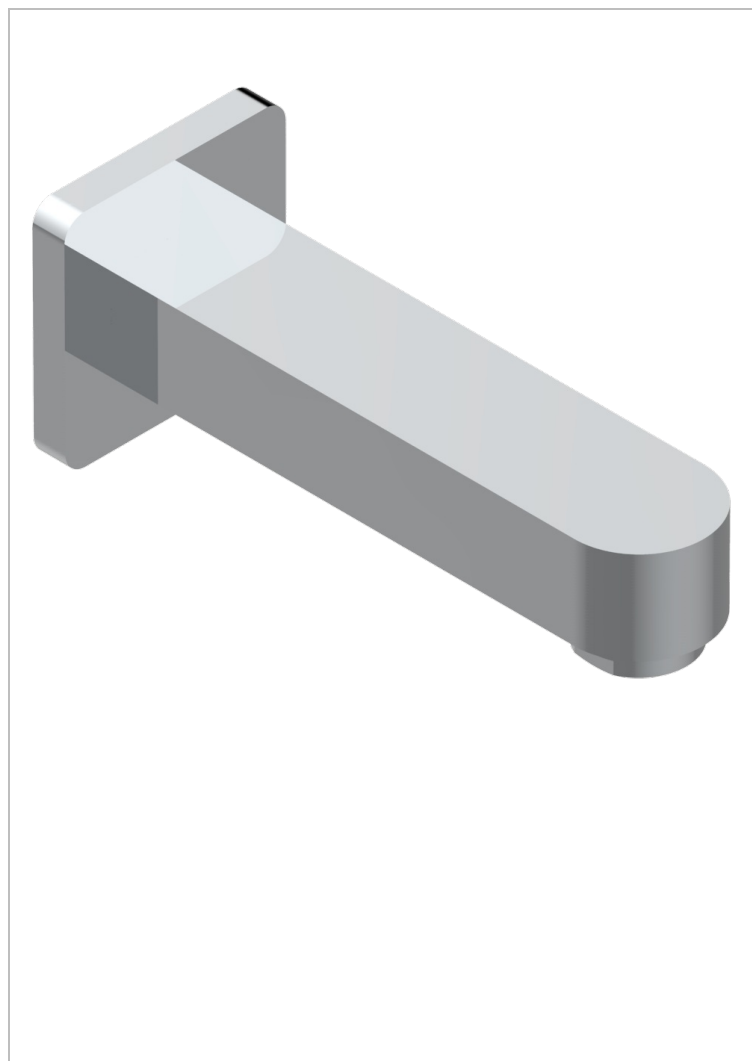


# PROFIL LALIQUE CLEAR CRYSTAL WITH LEVER

A6H-22

Wall mounted basin spout, normal



## CHARACTERISTIC

- Profil Laliq Clear crystal with lever
- Wall mounted basin spout, normal

## TECHNICAL SPECS

- Recommandé : 3 bars (max. 5 bars) - Advised : 43,5 psi (max. 72 psi)
- 15 l/min à 3 bars (4 gpm at 43.5 psi)

## RELATED SKU'S

- Ref. G00-309/B Free-flow basin waste with grid
- Ref. G00-309/S Bottle Trap only for waste
- Ref. G00-316 Click waste
- Ref. G00-308T Adjustable bottle trap, mini 45 mm - maxi 90 mm with 300 mm overflow pipe

## AVAILABLE FINITIONS

Antique nickel - H28  
Black ceram - D30  
Blush PVD - H62  
Brass color PVD - H49  
Brown bronze color PVD - F33  
Gold color PVD - H52

Graphite PVD - H64  
Lacquered light bronze - D01  
Matt Umber PVD - H67  
Matt blush PVD - H60  
Matt brass color PVD - H50  
Matt brown bronze color PVD - F34

Matt chrome - C02  
Matt gold - F07  
Matt gold color PVD - H53  
Matt graphite PVD - H65  
Matt nickel (color finish) - C01  
Matt nickel color PVD - H56

Nickel color PVD - H55  
Polished chrome (color finish) - A02  
Polished chrome / Polished gold (color finish) - G02  
Polished gold (color finish) - F01  
Polished nickel - B01  
Soft gold - F30

Soft matt gold - F31  
Umber PVD - H66  
Varnished matt antique red copper (color finish) - H07