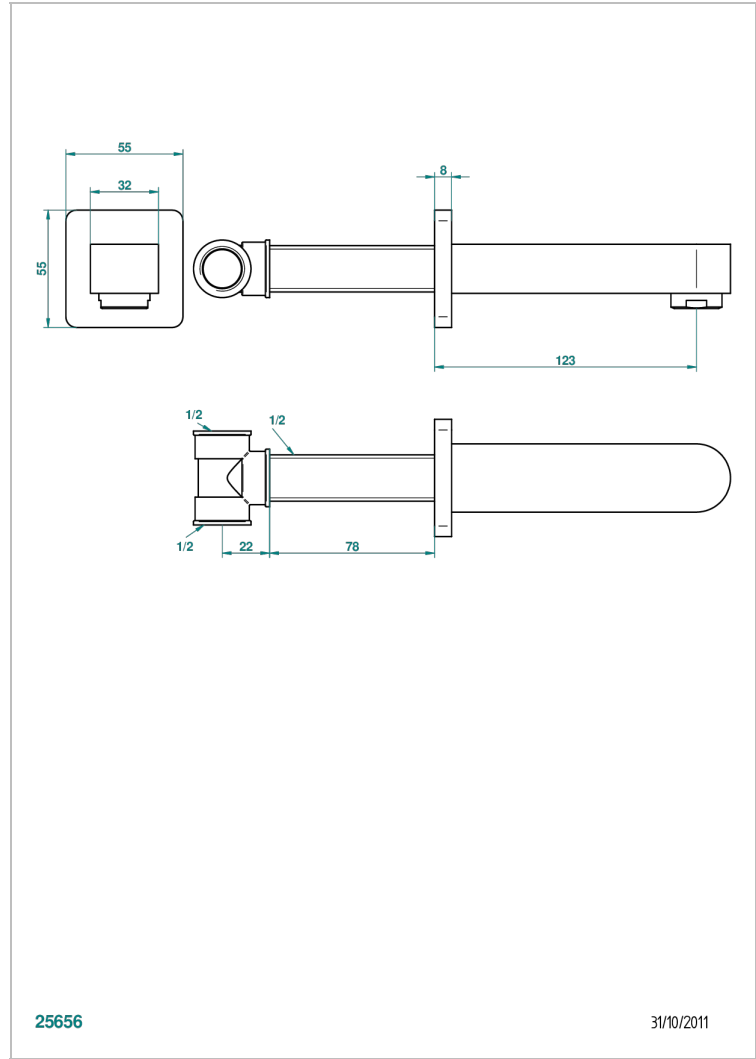
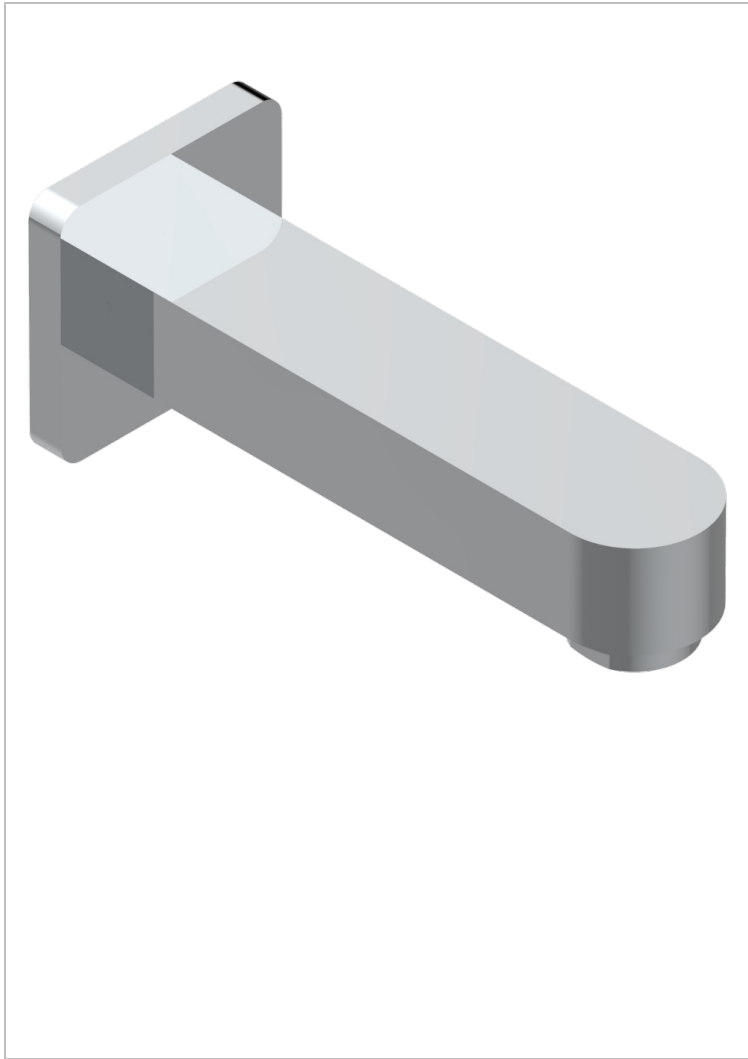


PROFIL LALIQUE CLEAR CRYSTAL

A6G-22

Wall mounted basin spout, normal

THG[®]
PARIS



25656

31/10/2011

CHARACTERISTIC

- Profil Laliq Clear crystal
- Wall mounted basin spout, normal

TECHNICAL SPECS

- Recommandé : 3 bars (max. 5 bars) - Advised : 43,5 psi (max. 72 psi)
- 15 l/min à 3 bars (4 gpm at 43.5 psi)

RELATED SKU'S

- Ref. G00-309/B Free-flow basin waste with grid
- Ref. G00-309/S Bottle Trap only for waste
- Ref. G00-316 Click waste
- Ref. G00-308T Adjustable bottle trap, mini 45 mm - maxi 90 mm with 300 mm overflow pipe

AVAILABLE FINITIONS

Antique nickel - H28
Black ceram - D30
Blush PVD - H62
Brass color PVD - H49
Brown bronze color PVD - F33
Gold color PVD - H52

Graphite PVD - H64
Lacquered light bronze - D01
Matt Umber PVD - H67
Matt blush PVD - H60
Matt brass color PVD - H50
Matt brown bronze color PVD - F34

Matt chrome - C02
Matt gold - F07
Matt gold color PVD - H53
Matt graphite PVD - H65
Matt nickel (color finish) - C01
Matt nickel color PVD - H56

Nickel color PVD - H55
Polished chrome (color finish) - A02
Polished chrome / Polished gold (color finish) - G02
Polished gold (color finish) - F01
Polished nickel - B01
Soft gold - F30

Soft matt gold - F31
Umber PVD - H66
Varnished matt antique red copper (color finish) - H07