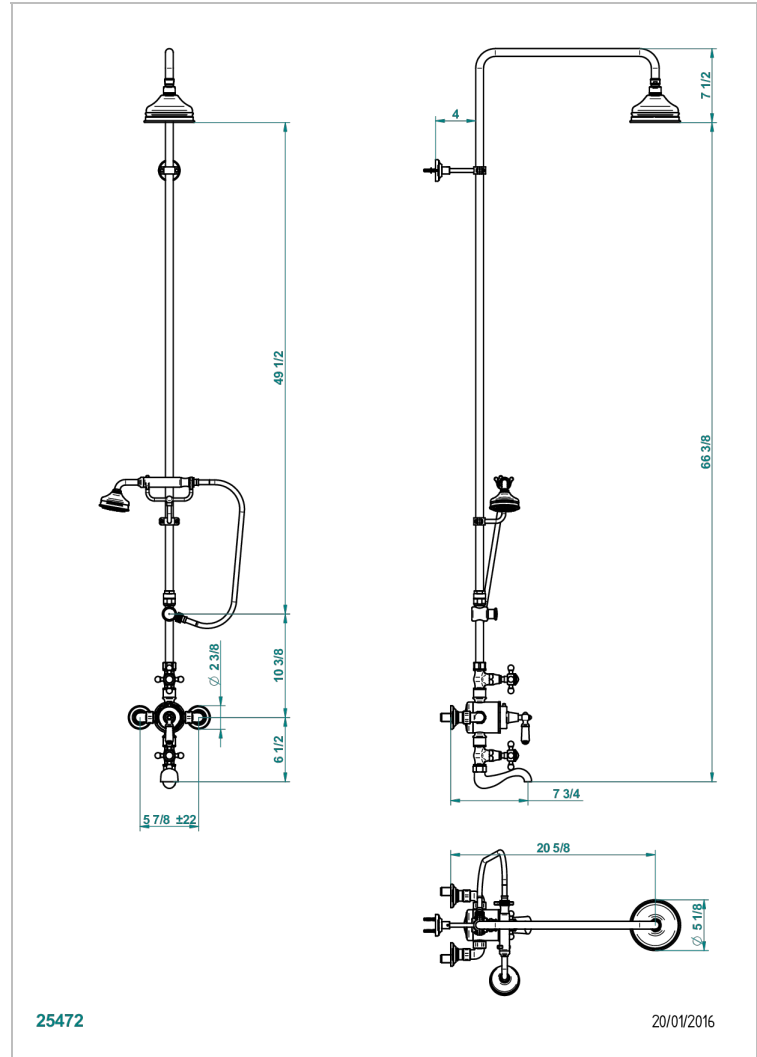


1900

G25-11TRCD

Wall thermostatic bath shower mixer 1/2" with valves ,150 mm centres with shower column with diverter, wall bracket, handshower, 1.5 m hose, holder on bar and 130 mm Shower head



25472

20/01/2016

CHARACTERISTIC

- 1900
- Wall thermostatic bath shower mixer 1/2" with valves ,150 mm centres with shower column with diverter, wall bracket, handshower, 1.5 m hose, holder on bar and 130 mm Shower head

TECHNICAL SPECS

- Recommandé : 3 bars (max. 5 bars) - Advised : 43,5 psi (max. 72 psi)
- Bec : 75 l/min à 3 bars (19,8 gpm at 43.5 psi)
- Pomme : 9,5 l/min à 3 bars (2.50 gpm at 43.5 psi)
- Douchette : 9,5 l/min à 3 bars (2.50 gpm at 43.5 psi)

AVAILABLE FINITIONS

Antique nickel - H28
Black ceram - D30
Blush PVD - H62
Brass color PVD - H49
Brown bronze color PVD - F33
Gold color PVD - H52

Graphite PVD - H64
Lacquered light bronze - D01
Matt Umber PVD - H67
Matt blush PVD - H60
Matt brass color PVD - H50
Matt brown bronze color PVD - F34

Matt chrome - C02
Matt gold - F07
Matt gold color PVD - H53
Matt graphite PVD - H65
Matt nickel (color finish) - C01
Matt nickel color PVD - H56

Natural smoked Brass - A13
Nickel color PVD - H55
Polished chrome (color finish) - A02
Polished chrome / Polished gold (color finish) - G02
Polished gold (color finish) - F01
Polished nickel - B01

Soft gold - F30
Soft matt gold - F31
Umber PVD - H66
Varnished matt antique red copper (color finish) - H07