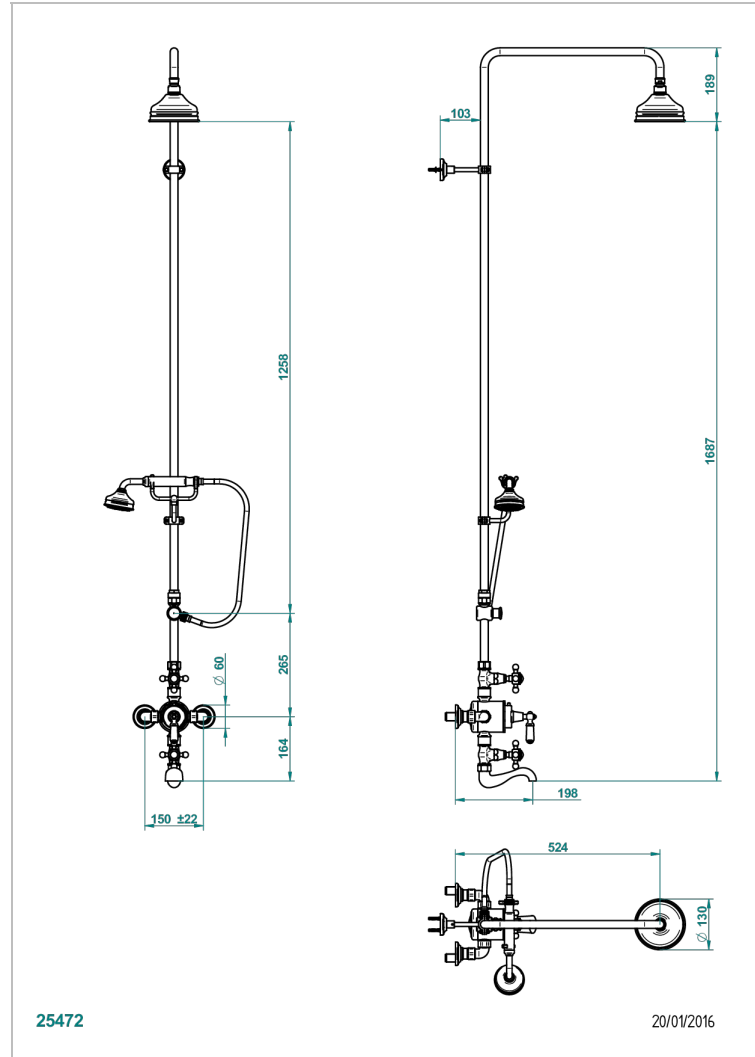


# 1900

## G25-11TRCD

Wall thermostatic bath shower mixer 1/2" with valves ,150 mm centres with shower column with diverter, wall bracket, handshower, 1.5 m hose, holder on bar and 130 mm Shower head



### CHARACTERISTIC

- 1900
- Wall thermostatic bath shower mixer 1/2" with valves ,150 mm centres with shower column with diverter, wall bracket, handshower, 1.5 m hose, holder on bar and 130 mm Shower head

### TECHNICAL SPECS

- Recommandé : 3 bars (max. 5 bars) - Advised : 43,5 psi (max. 72 psi)
- Bec : 75 l/min à 3 bars (19,8 gpm at 43.5 psi)
- Pomme : 9,5 l/min à 3 bars (2.50 gpm at 43.5 psi)
- Douchette : 9,5 l/min à 3 bars (2.50 gpm at 43.5 psi)

### AVAILABLE FINITIONS

Antique nickel - H28  
Black ceram - D30  
Blush PVD - H62  
Brass color PVD - H49  
Brown bronze color PVD - F33  
Gold color PVD - H52

Graphite PVD - H64  
Lacquered light bronze - D01  
Matt Umber PVD - H67  
Matt blush PVD - H60  
Matt brass color PVD - H50  
Matt brown bronze color PVD - F34

Matt chrome - C02  
Matt gold - F07  
Matt gold color PVD - H53  
Matt graphite PVD - H65  
Matt nickel (color finish) - C01  
Matt nickel color PVD - H56

Natural smoked Brass - A13  
Nickel color PVD - H55  
Polished chrome (color finish) - A02  
Polished chrome / Polished gold (color finish) - G02  
Polished gold (color finish) - F01  
Polished nickel - B01

Soft gold - F30  
Soft matt gold - F31  
Umber PVD - H66  
Varnished matt antique red copper (color finish) - H07