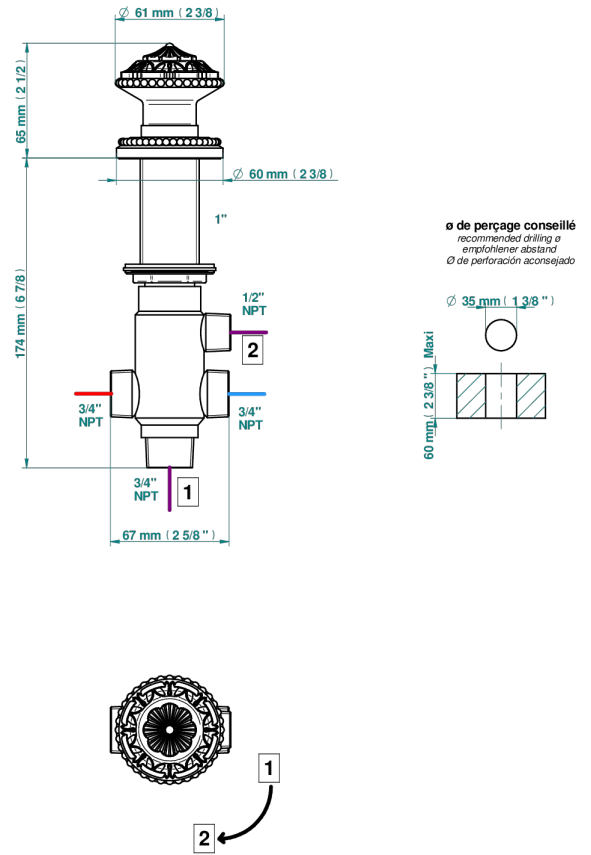


# AMOUR DE TRIANON

G24-504VGUS

2-function deck diverter with trim

THG<sup>®</sup>  
PARIS



23131

04/04/2024

## CHARACTERISTIC

- Amour de Trianon
- 2-function deck diverter with trim

## TECHNICAL SPECS

- Recommandé : 3 bars (max. 5 bars) - Advised : 43,5 psi (max. 72 psi)
- débit sortie Douchette 1/2 : 50 l/min à 3 bars - fonction 1/2 : 13,2 gpm at 43.5 psi
- débit sortie Bec 3/4 : 70 l/min - fonction 3/4 : 18,5 gpm at 43.5 psi

## AVAILABLE FINITIONS

Black ceram - D30  
Chrome polished - A02  
Chrome polished / gold polished - G02  
Copper antique matt, coated - H07  
Gold mat - F07  
Gold polished - F01

Light coated bronze - D01  
Matt chrome (American satin) - C02  
Matt nickel (American satin) - C01  
Nickel antique / Sovereign - H28  
Nickel polished - B01  
Soft gold - F30

Soft matt gold - F31