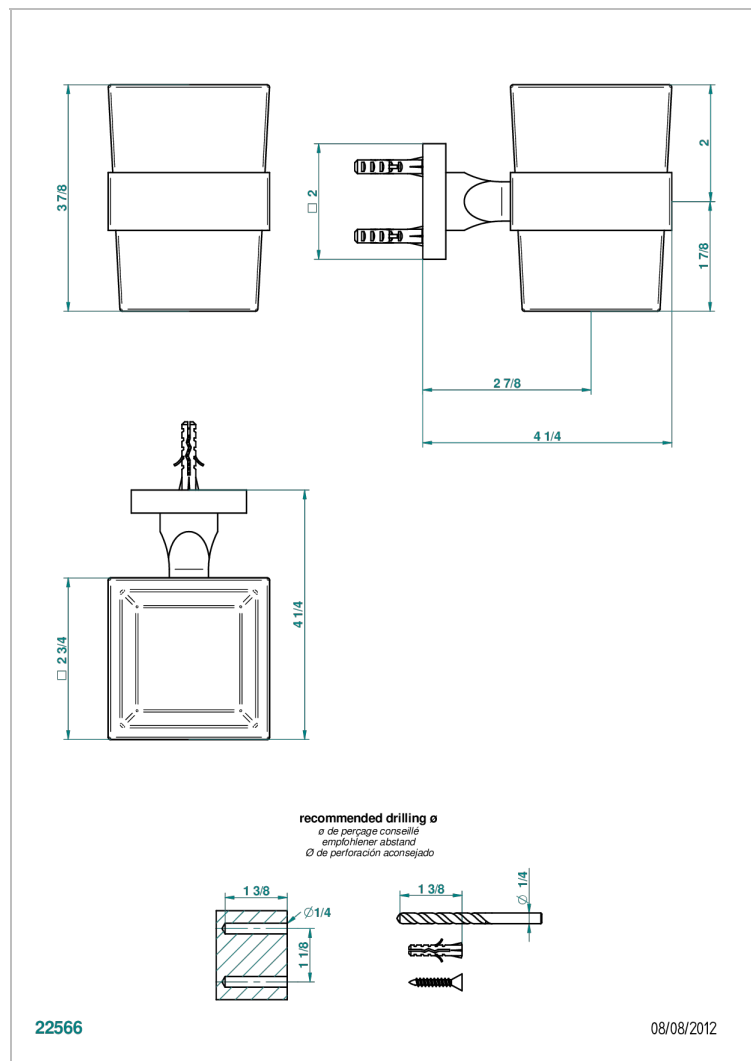
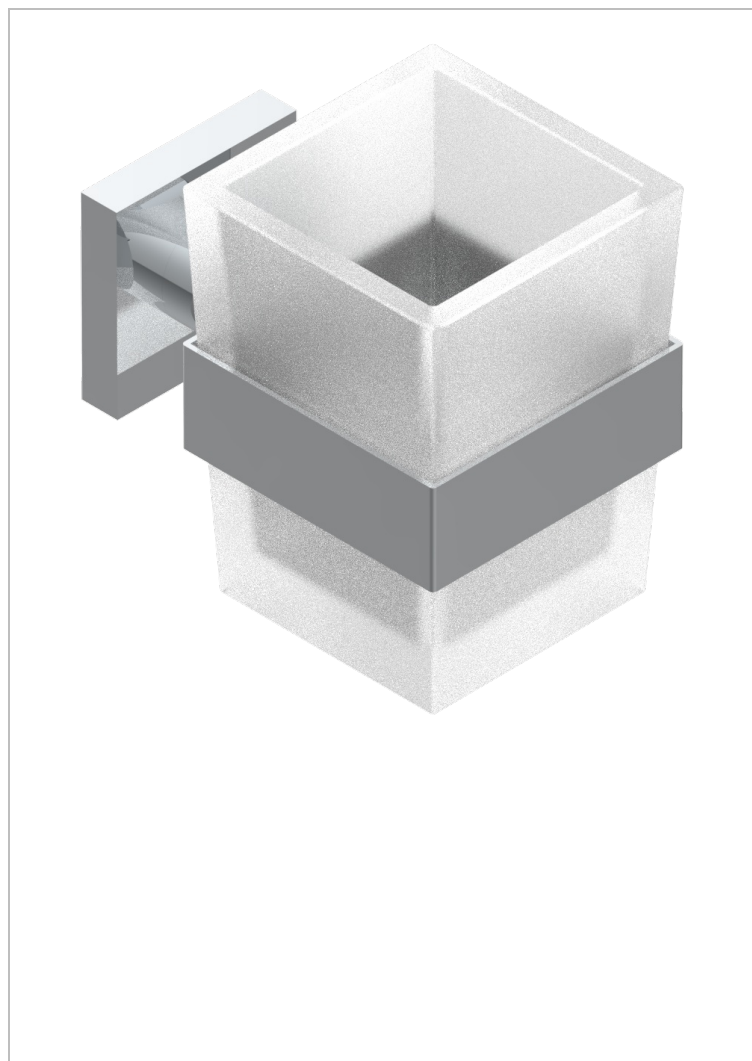


PROFIL LALIQUE CLEAR CRYSTAL

A6G-536

Tumbler holder, wall mounted



CHARACTERISTIC

- Profil Lalique Clear crystal
- Tumbler holder, wall mounted

AVAILABLE FINITIONS

Black ceram - D30
 Blush PVD - H62
 Brass color PVD - H49
 Brown bronze color PVD - F33
 Chrome polished - A02
 Chrome polished / gold polished - G02

Copper antique matt, coated - H07
 Gold color PVD - H52
 Gold mat - F07
 Gold polished - F01
 Graphite PVD - H64
 Light coated bronze - D01

Matt Umber PVD - H67
 Matt blush PVD - H60
 Matt brass color PVD - H50
 Matt brown bronze color PVD - F34
 Matt chrome (American satin) - C02
 Matt gold color PVD - H53

Matt graphite PVD - H65
 Matt nickel (American satin) - C01
 Matt nickel color PVD - H56
 Nickel antique / Sovereign - H28
 Nickel color PVD - H55
 Nickel polished - B01

Soft gold - F30
 Soft matt gold - F31
 Umber PVD - H66