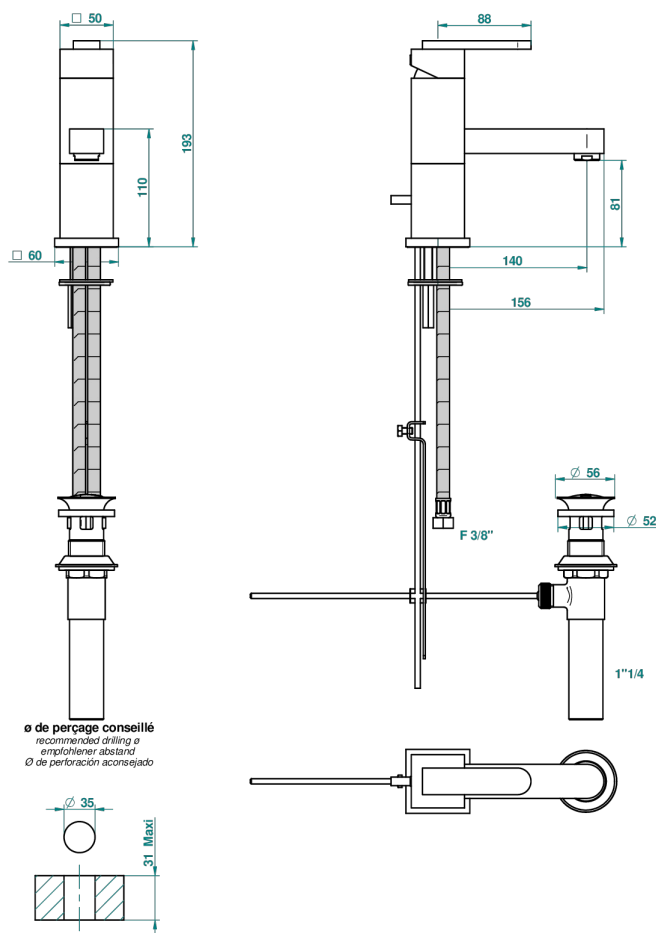


# PROFIL METAL WITH LEVER HANDLES

A6B-6500/US

Single lever faucet with drain



22116

26/09/2013

## CHARACTERISTIC

- ASME : ASME A112.18.1-2011/CSA B125.1-11

## TECHNICAL SPECS

- Recommandé : 3 bars (max. 5 bars) - Advised : 43,5 psi (max. 72 psi)
- 5,7 l/min à 3 bars (1.5 gpm at 43.5 psi)

## STANDARDS



## AVAILABLE FINITIONS

Black ceram - D30  
 Blush PVD - H62  
 Brass color PVD - H49  
 Brown bronze color PVD - F33  
 Chrome polished - A02  
 Chrome polished / gold polished - G02

Copper antique matt, coated - H07  
 Gold color PVD - H52  
 Gold mat - F07  
 Gold polished - F01  
 Graphite PVD - H64  
 Light coated bronze - D01

Matt Umber PVD - H67  
 Matt blush PVD - H60  
 Matt brass color PVD - H50  
 Matt brown bronze color PVD - F34  
 Matt chrome (American satin) - C02  
 Matt gold color PVD - H53

Matt graphite PVD - H65  
 Matt nickel (American satin) - C01  
 Matt nickel color PVD - H56  
 Nickel antique / Sovereign - H28  
 Nickel color PVD - H55  
 Nickel polished - B01

Soft gold - F30  
 Soft matt gold - F31  
 Umber PVD - H66