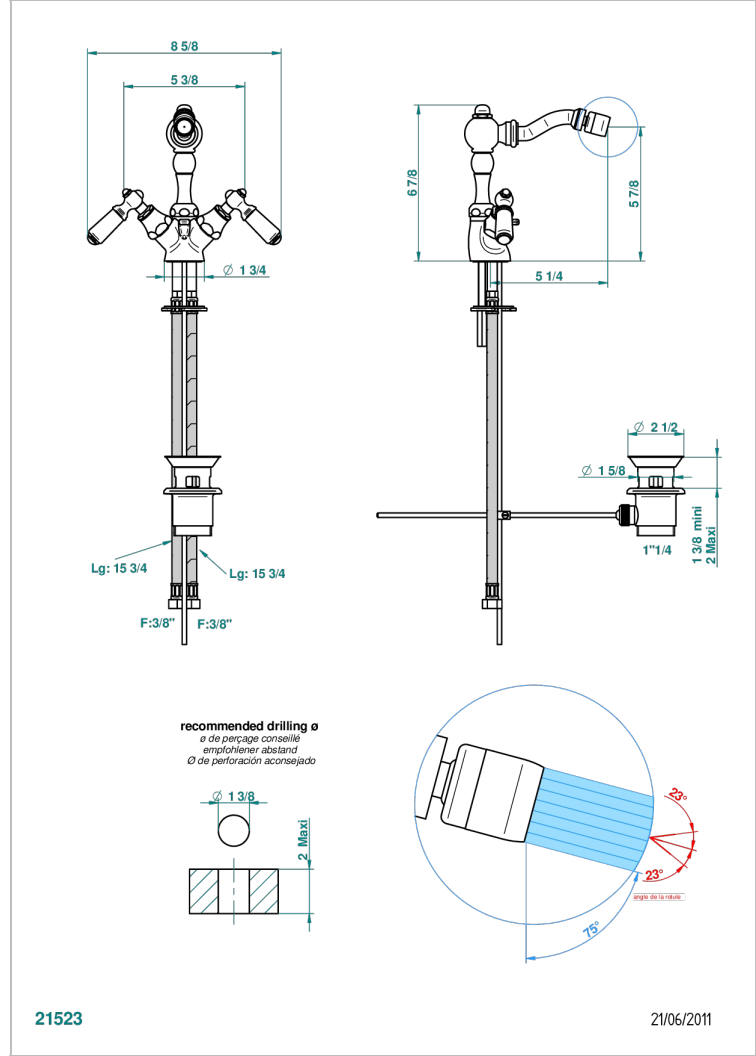
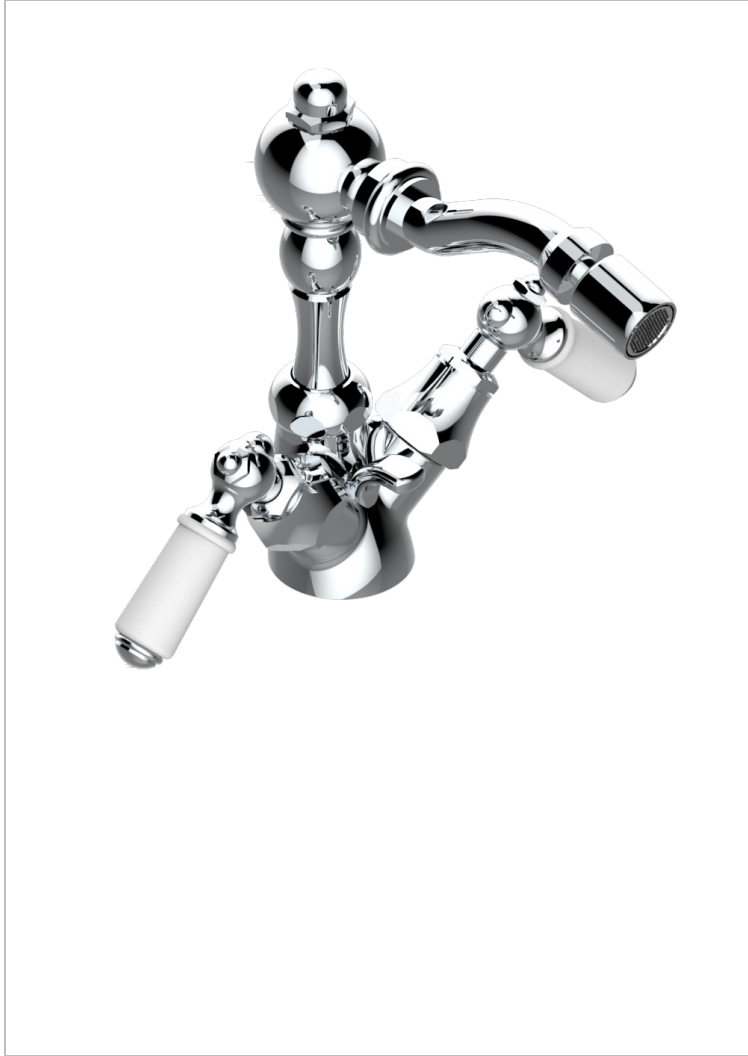


1900 WITH LEVER

G28-3202

1-hole bidet mixer with swivel jet handshower with waste



CHARACTERISTIC

- ACS : 17ACCLY613
- NF : NF EN 200 - IA - Chrome

TECHNICAL SPECS

- Recommandé : 3 bars (max. 5 bars) - Advised : 43,5 psi (max. 72 psi)
- 15 l/min à 3 bars (4 gpm at 43.5 psi)

STANDARDS



AVAILABLE FINITIONS

- | | | | | |
|------------------------------|-----------------------------------|----------------------------------|--|--|
| Antique nickel - H28 | Graphite PVD - H64 | Matt chrome - C02 | Natural smoked Brass - A13 | Soft gold - F30 |
| Black ceram - D30 | Lacquered light bronze - D01 | Matt gold - F07 | Nickel color PVD - H55 | Soft matt gold - F31 |
| Blush PVD - H62 | Matt Umber PVD - H67 | Matt gold color PVD - H53 | Polished chrome (color finish) - A02 | Umber PVD - H66 |
| Brass color PVD - H49 | Matt blush PVD - H60 | Matt graphite PVD - H65 | Polished chrome / Polished gold (color finish) - G02 | Varnished matt antique red copper (color finish) - H07 |
| Brown bronze color PVD - F33 | Matt brass color PVD - H50 | Matt nickel (color finish) - C01 | Polished gold (color finish) - F01 | |
| Gold color PVD - H52 | Matt brown bronze color PVD - F34 | Matt nickel color PVD - H56 | Polished nickel - B01 | |